

Pharmacy Enterprise Customization System (PECS)

Troubleshooting Guide



Version 6.1

July 2017

**Department of Veterans Affairs
Office of Information and Technology (OIT)
Product Development (PD)**

Revision History

Date	Revised Pages	Patch Number	Change Reference
07/12/2017	All	PREC*6.1*1	Made updates for PECS v6.1 which addresses 2FA Compliance and IAM SSOi integration for PIV authentication. REDACTED
03/22/2016	22 All	PREC*6.0*1	Update emails in section 3.3 508 conformance edit - S Heiress Updated for PECS v6.0.01 - REDACTED
11/06/2014	All	PREC*5.0*1	Updated for PECS v5.0 REDACTED
07/18/2014	All	PREC*3.0*1	Updated Title Page Changed date to be date (month) of release. Added footnote describing relationship between FDB MedKnowledge Framework and FDB-DIF, updated text appropriately. Updated TOC. Fixed Revision History Format; fixed for Section 508 compliance Changed title page and footers to reflect the actual release month/year. Changed footers in Revision History section General edits (section 3.0), other Tech Writing edits REDACTED
02/06/2013	9, 13, 29, 43, all	PREC*3.0*1	Updated Footer, All Pages Updated Revision History formatting, content Corrected grammar on Page 9 Revised introductory text on Page 13 Removed extra space on Page 29 Removed extra space on Page 43 Corrected inconsistency in use of the phrase 'Where X...' throughout document REDACTED
02/06/2013	33-37	PREC*3.0*1	Edited items in sections 5.1.2.1 and 5.1.4.1. REDACTED
02/01/2013	31-46	PREC*3.0*1	Updated document for PECS v3.0. Updated the messages in the Dose Range, Drug Pairs, Duplicate Therapy and Professional Monograph sections. REDACTED
07/13/2012	All; 3, 8, 9, TOC	PREC*2.2*1	Performed general edits; replaced figures 1 (page 3), 3 (page 8), and 4 (page 9) to match System Design Document; updated TOC. REDACTED

Date	Revised Pages	Patch Number	Change Reference
04/23/2012	37-48	PREC*2.2*1	Updated document for PECS v2.2. Updated the messages in the Single Drug Pairs, DDI, Drug Pairs Customization and Dose Range sections. Added the Record Locking section. Deleted the "user clicked the Customize button" statements from the Single Drug Pairs section. REDACTED
11/16/2011	All	N/A, First Release	Finalized Document REDACTED
11/16/2011	All	N/A, First Release	Updated Various Sections REDACTED
11/04/2011	All	N/A, First Release	Initial Draft REDACTED

Table of Contents

1	Introduction.....	1
1.1	Summary	1
1.2	Purpose	1
1.3	Scope	1
2	System Business and Operational Description	2
2.1	Operational Priority and Service Level	2
2.2	Logical System Description	2
2.2.1	Presentation Tier Overview	2
2.2.2	Business Logic Tier Overview	3
2.2.3	Data Persistence Tier Overview	3
2.2.4	DATUP DIF Update Logical System Components	4
2.3	Physical System Description	6
2.4	Software Description	9
2.4.1	Background Processes	9
2.4.2	Job Schedules	10
2.5	Dependent Systems	10
3	Routine Operations	12
3.1	Administrative Procedures.....	12
3.1.1	System Start-up	12
3.1.2	System Shut-down.....	13
3.1.3	Back-up & Restore.....	13
3.2	Security / Identity Management	17
3.2.1	Identity Management	18
3.2.2	Access Control.....	18
3.3	User Notifications	20
3.4	System Monitoring, Reporting, & Tools	21
3.4.1	Availability Monitoring	21
3.4.2	Performance/Capacity Monitoring	22
3.5	Routine Updates, Extracts and Purges.....	22
3.6	Scheduled Maintenance	22
3.7	Capacity Planning.....	22
3.7.1	Initial Capacity Plan	22
4	Exception Handling	23
4.1	Routine Errors	23
4.1.1	Security.....	23
4.1.2	Time-outs.....	24
4.1.3	Concurrency	24
4.2	Significant Errors	24
4.2.1	Application Error Logs.....	24

5	Application Error Messages and Descriptions	25
5.1	Customization Messages	25
5.1.1	All Concepts	25
5.1.2	Dose Range.....	26
5.1.3	Drug-Drug Interaction	30
5.1.4	Drug Pair	32
5.1.5	Duplicate Therapy.....	36
5.1.6	Professional Monograph	36
5.2	Custom Update Messages	38
5.2.1	Error Messages	38
5.3	Query Pages Messages	38
5.3.1	Error Messages	38
5.3.2	Informational Messages.....	39
5.4	Record Locking Messages	40
5.4.1	Popup Messages	40
5.5	Reports Pages Messages	40
6	Infrastructure Errors	41
6.1	Database	41
6.2	Web Server.....	41
6.3	Application Server	41
6.4	Network	42
6.5	Authentication and Authorization.....	42
6.5.1	User SSOi Logout.....	42
6.6	Dependent System(s).....	42
7	System Recovery.....	43
7.1	Restart After Non-Scheduled System Interruption.....	43

List of Tables

Table 1: WebLogic Application Server	6
Table 2: Oracle Database Server	6
Table 3: Software Components for the FDB-DIF Update DATUP	9
Table 4: System Automation Dependencies.....	11
Table 5: WebLogic Pre-Prod Steps	12
Table 6: WebLogic Production Steps	12
Table 8: Role-based Application Screens and Permitted Operations (Several Tables).....	18

List of Figures

Figure 1 - PECS Logical System Overview	4
Figure 2 - Logical System Components for the National and Local Environments.....	5
Figure 3 – PECS Deployment	7
Figure 4 - PECS Deployment, Continued	8
Figure 5 - Dependent System	11
Figure 6 – SSOi Central Login Page	18

1 Introduction

1.1 Summary

The PECS Troubleshooting Guide is written to be a supplement to any Operations Manual that is provided for the support staff, whether it be Field Operations, Enterprise Applications Management (or whatever team is in place after the product is in production), or the development team that needs to initially support the product.

1.2 Purpose

The purpose of this document is to list the error messages that any user may come across in the application. Some of the messages require that support staff be notified, and these are noted.

1.3 Scope

This scope of this document is limited to the PECS application. Any references to external systems is only for describing an interface and how the interface and that system affects the operation of PECS, or as a tool that may be used as part of system monitoring or the support and issue resolution system.

2 System Business and Operational Description

PECS is a Graphical User Interface application used to research, review, report, and manage customization changes currently within five FDB MedKnowledge¹ custom tables. The tables are Drug interaction, Drug Pairs, Drug Dosing, Duplicate Therapy, and Professional Monograph. The data changes performed for customizations are specific to VA patient care. The changes are different than what the vendor has provided such as the drug severity of two drugs. The change affects the information presented to the pharmacist when a drug order check is ordered on a patient.

The Pharmacy Benefits Management group (PBM) is the primary business owners of the application. They are responsible in overseeing customized changes that are necessary of overriding data table updates supplied weekly by First Data Bank.

2.1 Operational Priority and Service Level

The Service Level of the system and the availability of the system are described in the Rough Order of Magnitude (ROM) it provides information to the set up and support the PRE PECS application at ITC-Austin TX and the Identity and Access Management (IAM) Single Sign On internal (SSOi) system. No formal SLA is available for the PECS application.

2.2 Logical System Description

The logical view describes the architecturally significant parts of the design model. The object oriented decomposition of the PECS application can be logically divided into three primary tiers: Presentation Tier, Business Logic Tier, and Data Persistence Tier. Each tier has its own design and implementation framework, and defined points of interaction with the other respective tiers.

The PECS application is a web-based application accessible only from within the VA network via a client workstation with a VA approved Internet browser. The PECS application's architecture is designed and implemented according to VA architecture requirements using JEE framework.

PECS is architected as an n-tier JEE application consisting of Presentation Tier, Business Logic Tier, and Data Persistence Tier. Each tier has its own design and implementation framework, and defined points of interaction with the other respective tiers.

2.2.1 Presentation Tier Overview

The presentation tier represents the GUI screens that allow the user to interact with the application, and the logic initiated by user interaction to execute screen functionality. The presentation tier uses a well-known Model-View-Controller (MVC) design pattern implemented by the Spring MVC framework using JEE JSP pages as the "View" portion of MVC. The MVC framework is used to manage the display screens and to dispatch and delegate requests initiated by the user to a business rule processing business logic tier. The design of the MVC framework as it is used in the PECS application leverages an object hierarchy with commonly shared base classes.

¹ At the time of development, this product was known as FDB Drug Information Framework (commonly abbreviated as FDB-DIF). The references to FDB-DIF in this manual are necessary due to previously completed code and instructions that could not be changed to match the new product name.

2.2.2 Business Logic Tier Overview

The business logic tier is responsible for receiving business rule processing requests from the presentation tier, or other parts of the business logic tier. It is composed of services implemented as Spring beans. Transactional integrity is ensured by using Spring managed transactions.

The main services implemented deal with creation/modification/deletion of customization requests, workflow, queries and custom update generation.

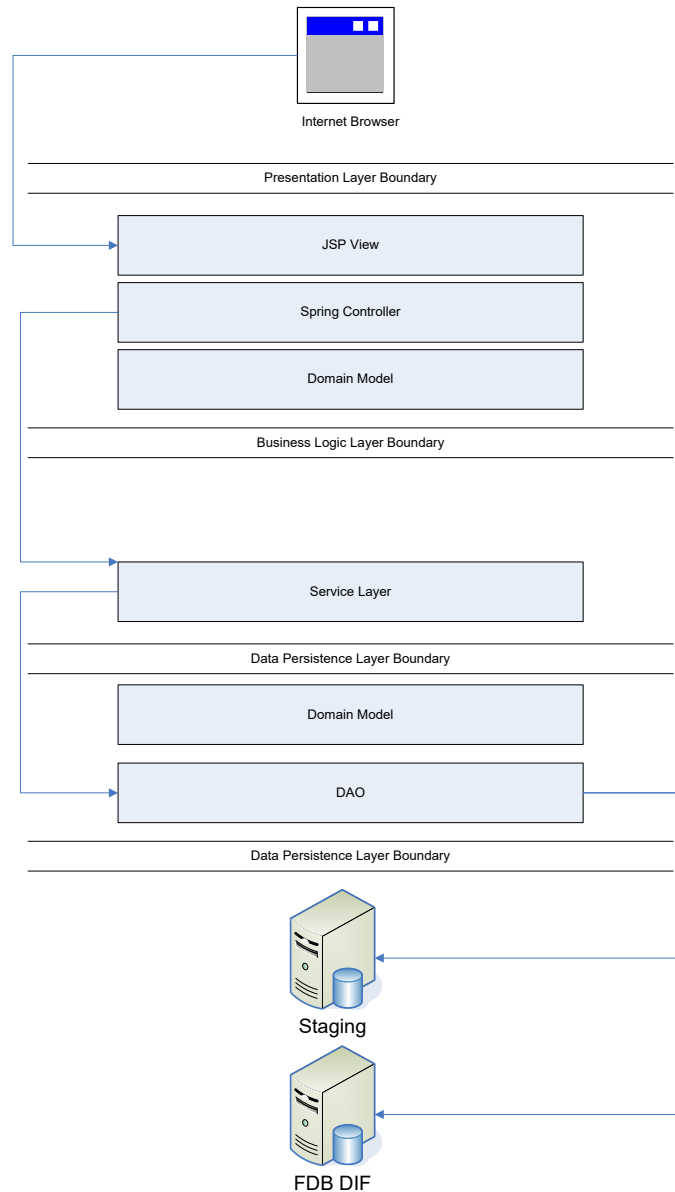
The services encapsulate the business rules governing the creation/modification/deletion of customization requests and their workflow. The services are also responsible for interfacing and abstracting the data persistence tier from the rest of the application logic.

2.2.3 Data Persistence Tier Overview

The data persistence tier is designed and implemented with the open source Hibernate framework. The Hibernate framework is an object oriented abstraction for database CRUD operations (please see the Hibernate website for further information).

The data persistence tier interfaces with two logical Oracle databases. The first is the PECS database containing the tables and database objects necessary for the PECS application to perform Order Check customizations and track workflow status. The second is the FDB MedKnowledge database, which is the source of production Order Check data. The relevant tables in each of these databases have representative domain model objects and data access objects (DAOs) in the data persistence design.

Figure 1 - PECS Logical System Overview



2.2.4 DATUP DIF Update Logical System Components

The logical system description defines the FDB-DIF Update DATUP and PECS system components. The components are shown together because they combine to form a common goal – FDB-DIF and FDB-Custom update distribution.

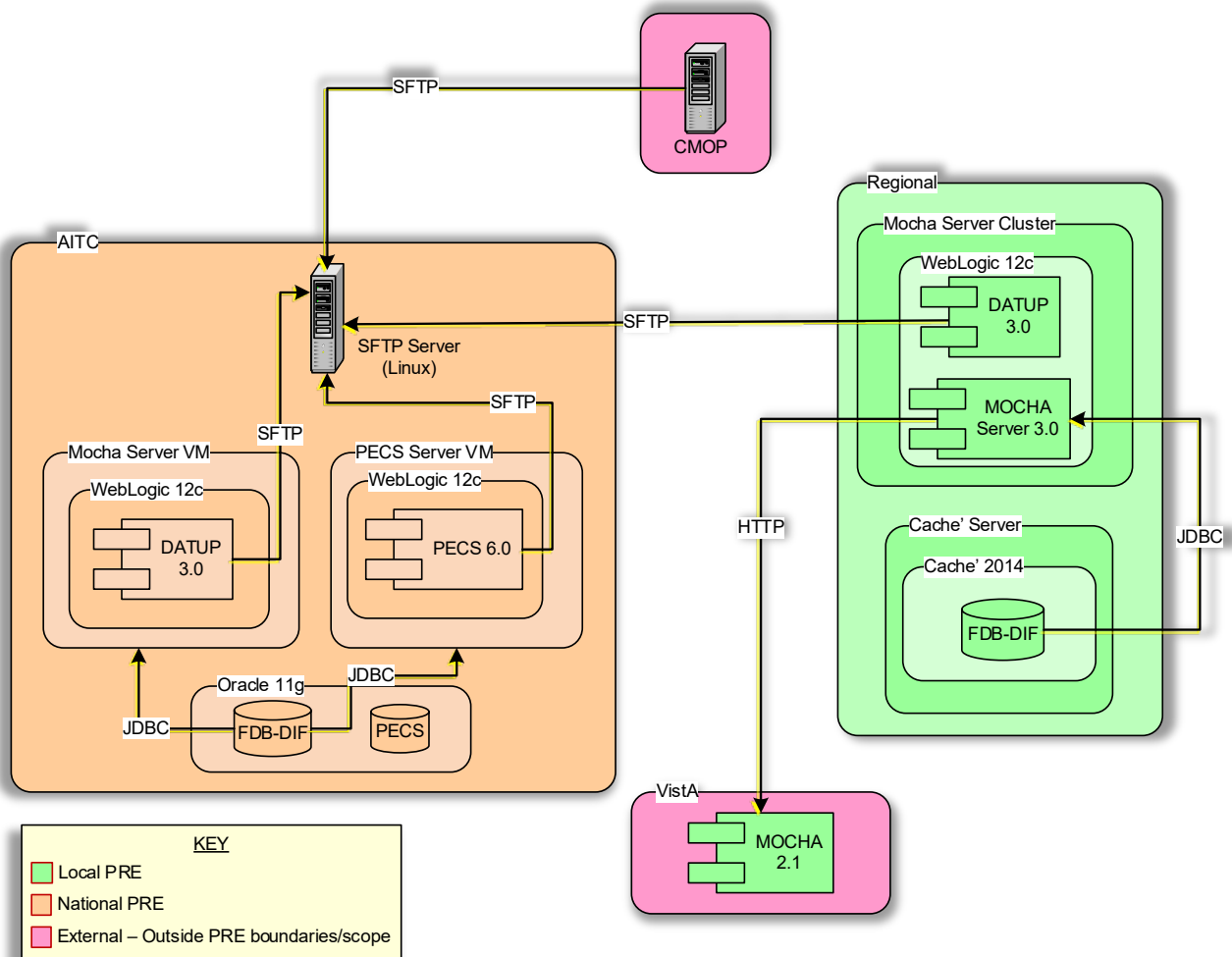
The combined logical system components are:

- FDB-DIF Update DATUP – Implements the FDB-DIF update business logic.
- Scheduler – Background process for scheduling Droid.
- WebLogic – Application server environment.
- Configuration File – Defines the DATUP configuration settings.

- Email Templates – Template emails for notifications sent to National/Local Managers.
- Secure File Transfer Protocol (SFTP) Server – SFTP Server that hosts the FDB-DIF update archives.
- Email Server – Email relay server.
- PECS – Implements the FDB-Custom drug business logic.
- CT Staging Database – Stores PECS FDB-Custom modifications.
- DATUP Database – Stores DATUP site update history.
- FDB-DIF Database – Stores the FDB-DIF drug database.

The logical system components for the National and Local environments are illustrated below. The National components are responsible for verifying and publishing FDB-DIF and FDB-Custom updates to the SFTP Server. The Local components then consume and apply the verified updates in an automated manner.

Figure 2 - Logical System Components for the National and Local Environments



2.3 Physical System Description

PECS is a national deployment at the Austin Information Technology Center (AITC). There is no disaster recovery site at AITC. The PECS application's components are deployed on two servers: an application server (WebLogic) and a database server (Oracle). These servers' characteristics are described in more detail below.

Table 1: WebLogic Application Server

Parameter	Value
Central Processing Unit	2 CPU, x86 architecture (Intel x86 or equivalent), 2 GHz or faster
RAM	8 GB
Available Hard Disk Space	70 GB
RAID Configuration	RAID 1
Operating System	Red Hat Linux – Enterprise Edition Version 6.8
Mouse	Generic
Video Resolution	640 x 480 pixels
Network Interface	dual 10 Base T or higher
Software	WebLogic 12.1.3

Table 2: Oracle Database Server

Parameter	Value
Central Processing Unit	4 CPU, i386 architecture (Intel 386 or equivalent), 2 GHz or faster
RAM	16 GB
Available Hard Disk Space	150 GB
RAID Configuration	RAID 1
Operating System	Red Hat Linux v 6.8
Mouse	Generic
Video Resolution	640 x 480 pixels
Network Interface	dual 10 Base T or higher
Fiber Channel Interface	dual Host Bus Adapters
Database	Oracle 11g

PECS is deployed at the national level as a single application server node connected to a database server.

Figure 3 – PECS Deployment

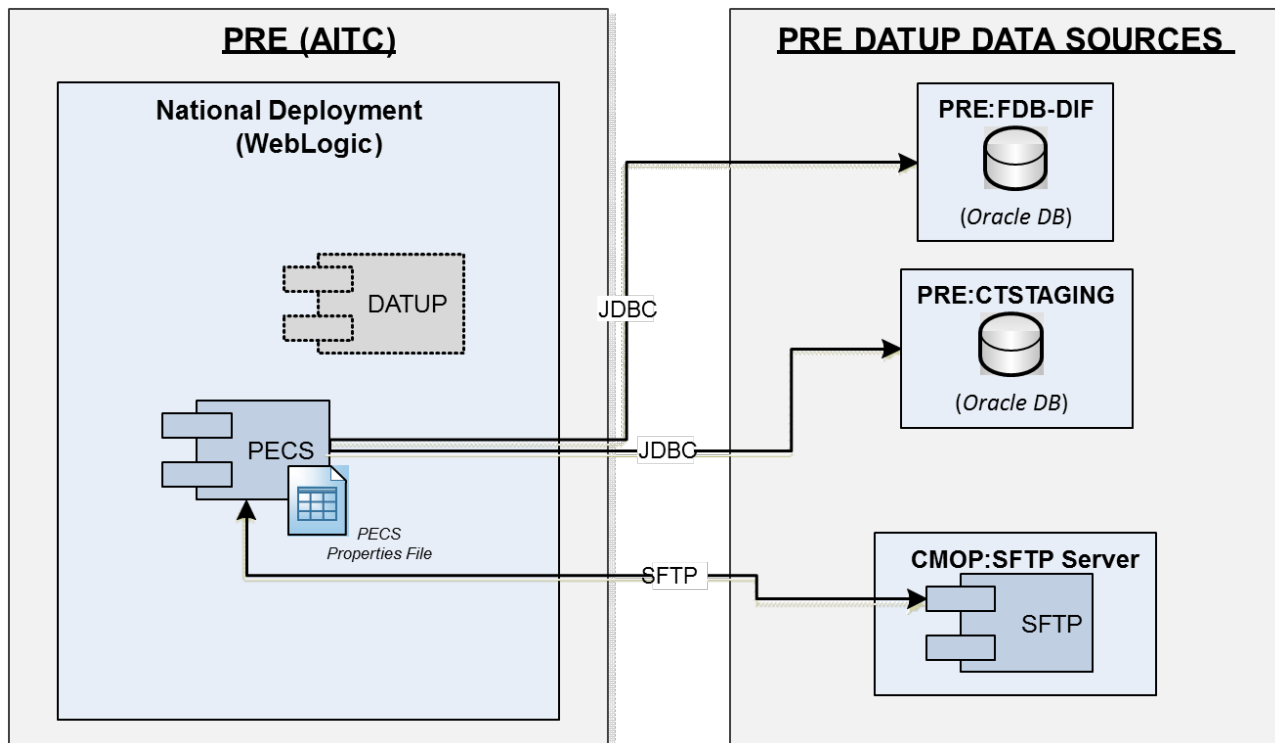
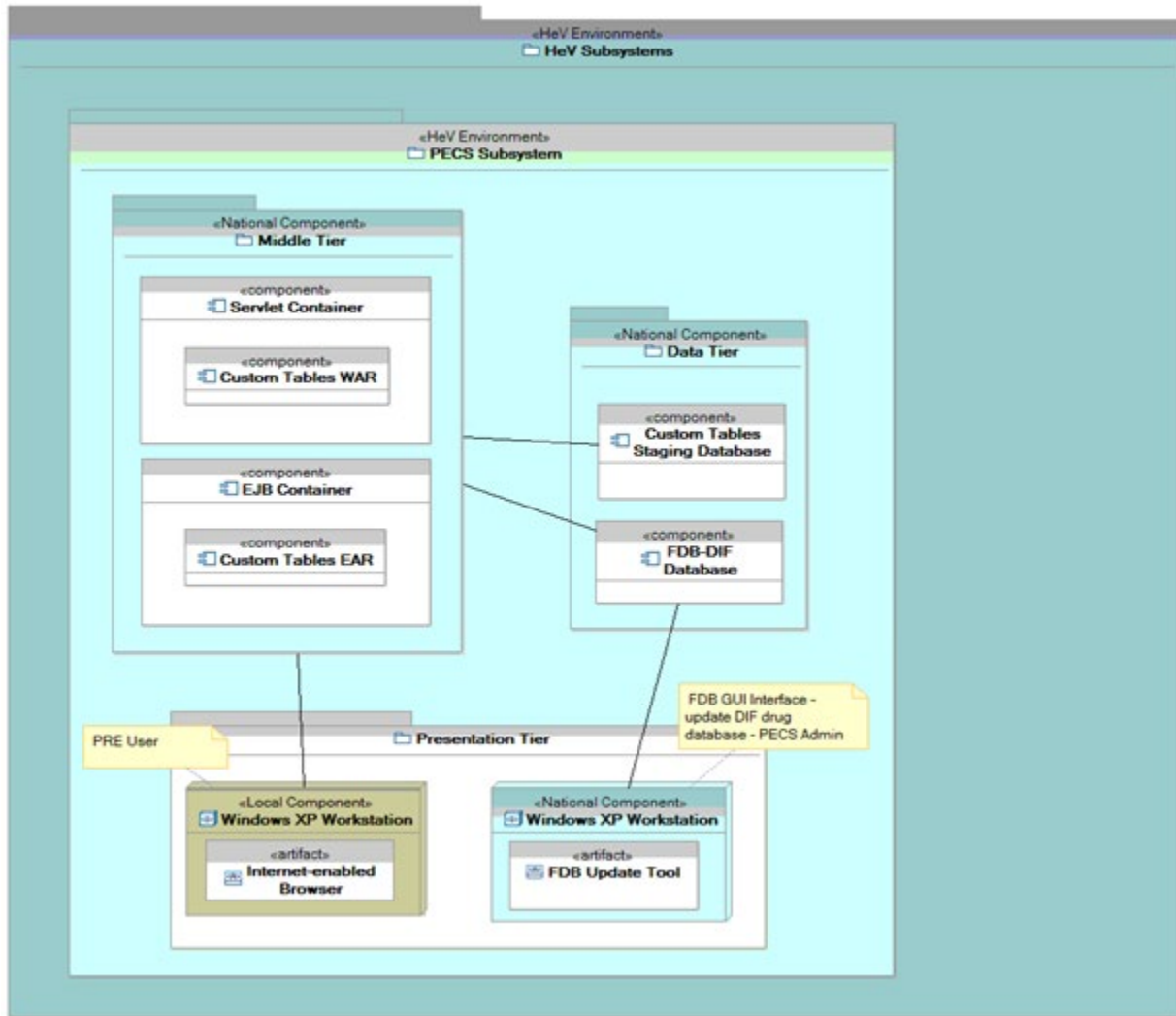


Figure 2 - PECS Deployment, Continued



2.4 Software Description

The PECS application conforms to the VA's requirements determining the use of third party tools. Please refer to the PECS Product Architecture Document for reference. See the PECS **REDACTED**

The three-tiered architecture, which consists of an Internet browser-based graphical user interface accessing a Spring MVC-based web application/presentation tier, a Java Enterprise Edition (JEE)-based business logic service processing layer, and a Hibernate-based data access tier, conforms to the design recommended by the Health Systems Design & Development (HSD&D) Core Specifications for Re-hosting Initiatives and generally acceptable JEE implementation recommendations.

PECS is a JEE application, conforming to version 1.4 of the specification. It is deployed on WebLogic 12.1.3. It makes use of the following third party frameworks: Spring 4.1.5, Hibernate 4.3.8, and Log4j 1.2.17. As mandated by the VA, PECS is integrated with Identity and Access Management (IAM) Single Sign On internal (SSOi) to support two factor authentication (2FA) using PIV.

Table 3: Software Components for the FDB-DIF Update DATUP

Component Name	Vendor	Version	License	Configuration
Operating System	Redhat			Standard
National Database	Oracle			See PECS Installation Guide.
Local Database	Intersystems			See MOCHA Server Installation Guide.
Programming Language	Oracle	6	Oracle Binary Code License	Standard
WebLogic	Oracle			See PECS Installation Guide.
Java Messaging Service	Oracle			See DATUP Installation Guide.
CommonJ Scheduler	Oracle			See PECS & DATUP Installation Guides.
SFTP Server	Apache			Standard
Email Server	Microsoft			Open relay

2.4.1 Background Processes

There are several background processes that run on the PECS production and pre-production servers.

At 7:00 a.m. each morning, a job runs to alert DBAs to service accounts with passwords that will expire in the next 15 days.

Also at 7:00 a.m., a job runs to purge trace files, log files older than a set parameter.

At 5:00 a.m., a daily job runs to move audit logs that need to be kept longer to a more permanent location.

At 6:00 a.m., a job runs to move old alert logs to a backup directory and start a new log for each day to make troubleshooting and maintenance easier and to free up space for customer data.

Every night at 11:00 p.m., a job runs to gather statistics on each table which are used by the Oracle optimizer to choose data access paths for peak performance.

A weekly job runs on Sunday to monitor space usage and allow database and system administrators to do capacity planning. A weekly job runs on Thursdays to verify/monitor privileges held by users for security and DBA review.

Backup jobs that run in background are described in section 3.4.

- Oracle for managing the table
- DATUP Background Process
- PECS Background Process

The CommonJ Scheduler runs in the background. It maintains the update schedule and fires after the configured timer has expired.

2.4.2 Job Schedules

This section describes the job scheduling for DATUP and PECS.

DATUP

The DATUP automated application schedules the FDB-DIF update process to execute at a configured time once per day. Whether successful or unsuccessful, the process will execute again on the following day.

An automated process checks for daily updates to be applied to the PECS application

The process update is processed by an automatic scheduler that checks for available files in the *Anonymous* directory. The files may be an FDB-DIF zip file supplied weekly by FDB or PECS customization changes in zip file format provided when necessary by the Release Manager within PECS.

The automated process automatically checks for updates, applies the updates, verifies completion of failed or normal executions, sends email messages, and moves files when completed.

PECS

PECS v2.2 introduced a background process that generates FDB Comparison Reports based upon the FDB-DIF Incremental Update file that have been received. This process needs to execute before the DATUP automated process described above.

The FDB Comparison Reports will read the incoming FDB Incremental Update file as well as the data from the FDB Database. If the concept has been customized, a comparison of the new FDB data, existing FDB data, and customized data is produced.

2.5 Dependent Systems

PECS depends on IAM SSOi for user authentication. The user authorization and roles are managed within the PECS application.

Figure 3 - Dependent System

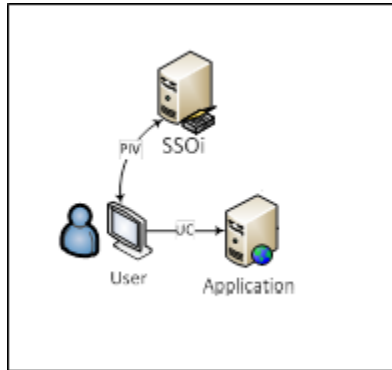


Table 4: System Automation Dependencies

Dependency Name	Location	Function	Interface Method
FTP Server over SSH (SFTP)	VA Internal	Stores FDB-DIF and FDB-Custom archives (ZIP files).	FTP Protocol over SSH (SFTP)
Email Server	VA Internal	Transmits notification email to configured mailing lists.	SMTP Protocol
Java Messages Service	WebLogic Application Server	Transmits messages from Local Sites to National.	JMS Protocol
IAM SSOi	VA Internal	Security	WEB
CMOP	CMOP	Transmit FDB DIF full and incremental zip files	FTP Protocol over SSH (SFTP)

3 Routine Operations

PECS requires Oracle support for the FDB-DIF and CT staging tables by a database administrator. It also requires the understanding of Linux and WebLogic.

3.1 Administrative Procedures

3.1.1 System Start-up

The servers are brought online by applying appropriate power and pressing the power button. Once the operating system is loaded and the server is accessible, the DBA is advised and will bring the database online. Once the database is online, the application admin is advised and will bring the application online.

If the server is up and the database is down, the script on the database server, `vapredbs1`, in the directory, `/u01/oracle/admin/PREP/scripts`, is a startup script which can be run by the Oracle Unix user to start up any database on the server. It is called from that directory as `./startup_db.ksh <database_name>`, i.e., `./startup_db.ksh PREP`.

Table 5: WebLogic Pre-Prod Steps

Name	Directory/Path
WebLogic Install Directory	/u01/app/bea
Domain Directory	/u01/app /bea/user_projects/domains/ pecs-preprod
Admin Server Startup Script	/u01/app /bea/user_projects/domains/pecs-preprod/startWebLogic.sh
Node Manager Startup Script	/u01/app /bea/wlserver_10.3/server/bin/startNodeManager.sh
Managed Server Startup	From Admin Console: pecs_ms1, peps_ms1

Table 6: WebLogic Production Steps

Name	Directory/Path
WebLogic Install Directory	/u01/app /bea
Domain Directory	/u01/app /bea/user_projects/domains/pecs-prod
Admin Server Startup Script	/u01/app/bea/user_projects/domains/pecs-prod/startWebLogic.sh
Node Manager Startup Script	/u01/app /bea/wlserver_10.3/server/bin/startNodeManager.sh
Managed Server Startup	From Admin Console: pecs_ms1, peps_ms1

1. Login to server as your user and become the WebLogic user:
i.e.: `sudo su - weblogic`
2. See the previous table to identify the script you wish to run for starting the Admin Server or a Node Manager. When running a script, preface all startup scripts with the `nohup` command and place in the background.

i.e.: Starting the Admin Server

```
cd /u01/appbea/user_projects/domains/pecs-  
nohup ./startWebLogic.sh &
```

i.e.: Starting a Node Manager

```
cd /u01/app/bea/wlserver_10.3/server/bin  
nohup ./startNodeManager.sh &
```

Login to the WebLogic GUI Admin console with your LAN ID, if this does not work, check the Password Vault for the environment and use the specified account.

Start the requested Managed Servers.

3.1.2 System Shut-down

The application is first taken offline by the application admin and advises the team. The DBA takes the DB offline and advises the team. The SA will run “ps –ef” to identify any hung WebLogic or Oracle processes prior to shutdown/reboot of the servers.

If the server is up and the database is up but needs to come down for maintenance on the database or server, the script on the database server, vapredbs1, in the directory, /u01/oracle/admin/PREP/scripts, is a shutdown_ script which can be run by the Oracle Unix user to shut down any database on the server. It is called from that directory as ./shutdown_db.ksh <database_name>, i.e., ./shutdown_db.ksh PREP.

- a. Login to the WebLogic GUI Admin console with your LAN ID, if this does not work, check the Password Vault for the environment and use the specified account.

Select all the servers including Admin server and shut them down.

- b. Login to server as your user and become the WebLogic user:

i.e.: sudo su – weblogic

Kill <nodemanager PID>

- c. Verify if all the servers are stopped.

i.e. ps –ef | grep java, should not see any WebLogic instances.

3.1.3 Back-up & Restore

In this section, a high-level description of the systems back-up and restore strategy is elaborated.

Back-up Procedures

All servers are backed up under the AITC Enterprise Backup solution.

The PRE servers are back up policy are as follow;

- Differentials run Mon-Thurs – three-week retention.
- Full backup run on Fridays – three-month retention


```

/opt          /dev/mapper/rootvg-opt PRE_prd_sys
/opt          /dev/mapper/rootvg-opt *PRE_prd_ays
/proc/sys/fs/binfmt_misc none          UNCOVERED
/sys          sysfs                    UNCOVERED
/u01         /dev/mapper/rootvg-u01 PRE_prd_sys
/u01         /dev/mapper/rootvg-u01 *PRE_prd_ays
/usr         /dev/mapper/rootvg-usr PRE_prd_sys
/usr         /dev/mapper/rootvg-usr *PRE_prd_ays
/var         /dev/mapper/rootvg-var PRE_prd_sys
/var         /dev/mapper/rootvg-var *PRE_prd_ays

```

The database server, vapredbs1, is backed up for a system backup each weekend to tape and the tapes are retained for a month.

Oracle RMAN software is used to perform full backups of the PREP database each Tuesday and Saturday mornings. The tapes are retained offsite for 1 month. RMAN is also used to backup archive logs and the database control file to tape daily and are also retained offsite for a month. The full database backups run for about 40-45 minutes. The archive log backups are shorter, about 25-30 minutes.

Restore Procedures

Recover Disk Layout and OS Version

1. Refer to one of the following for a filesystem layout:
 - a. cfg2html reports
 - b. Filesystem report stored in /opt/ops/hosts.reports/<hostname>.fs.txt on REDACTED
 - c. Restore /opt/ops/<hostname>.fs.txt to /tmp/ on REDACTED.
2. Refer to one of the following to determine which RedHat version to install:
 - a. cfg2html reports
 - b. Cfg2html output stored in /opt/cfg2html on REDACTED
 - c. RedHat release report stored in /opt/ops/hosts.reports/<hostname>.release.txt on REDACTED
 - d. Restore /etc/redhat-release to /tmp/ on REDACTED .

Build server using STK image server

- a. STK image server

Install Netbackup client

- a. NetBackup Client setup document

Rebuild User Accounts

1. Request NetBackup administrator to restore following files:
 - a. /home
 - b. /etc/passwd
 - c. /etc/shadow
 - d. /etc/group
 - e. /etc/gshadow

2. Run pwck to verify password files
3. Run grpck to verify group file

Restore Customized Configuration Files and User Directories

1. Request NetBackup administrator to restore following files/directories:

- /etc/snmp/snmpd/conf
- /etc/at.allow
- /etc/at.deny
- /etc/cron.allow
- /etc/cron.deny
- /etc/hosts
- /etc/sudoers
- /etc/security/limits.conf
- /etc/yum.conf
- /etc/aliases
- /etc/hosts.allow
- /etc/hosts.deny
- /etc/httpd
- /etc/sysctl.conf
- /etc/syslog.conf
- /opt/ops/acct
- /opt/ops/bin
- /etc/cron.daily/passwd_age
- /etc/cron.monthly/SecurityCheck
- /usr/local/bin
- /usr/local/nagios
- /etc/logrotate.d
- /etc/logrotate.conf
- /etc/ntp
- /etc/ntp.conf
- /etc/multipath.conf
- /u0x
- /var/spool/cron

2. Restart following services:

- snmpd
- sendmail
- httpd
- syslog

- nptd
- multipathd

Install 3rd Party Software

Once the server, vapredbs1 is restored from tape, including /etc, /var and /u01 with the Oracle software have been restored from tape, the database can be restored using RMAN. The script to do this should have been restored to the /u01/oracle/admin/PREP/rman directory and is called rman_restore_db_from_tape.ksh. It must be run as the Oracle Unix user with the latest full backup of the database in the tape device and the database name as a parameter.

Back-up Testing

At the Program Manager's discretion, random files can be selected to be restored to an alternate location.

Currently, there is no restore testing. The DBA team has requested an extra server to user for this purpose and will implement testing procedures when this server is purchased by AITC.

Storage and Rotation

Full Backups are performed on Sundays and kept for a month. This means that at any time, we should have 4 full backup tapes available for each server. Tapes are normally dispatched offsite on Mondays.

Differentials are run for the remainder of the week to capture daily changes and are sent offsite on Mondays.

These are the files that we backup on vapredbs1:

- /
- /boot
- /home
- /opt
- /usr
- /var
- /u01

Schedule:

- Diff Mon-Thurs 3 week retention
- Full Fri 3 months retention

3.2 Security / Identity Management

Security used is – IAM SSOi.

The PECS application is only accessible by users signed directly into the VA network, or by users signed into the VA network via the RESCUE client. User authentication into the VA network is a precondition of PECS application access. Application authentication will be controlled by IAM SSOi using the user PIV card. In order to log into the application, each user must have a PIV or Windows credentials.

Figure 4 – SSOi Central Login Page



3.2.1 Identity Management

All VA users can login into the PECS application using their PIV. Identity Management is done through IAM SSOi.

Authorization is handled by the PECS application using the Database tables. All users will have the default Requestor role. For higher roles like Approver, Release Manager, and Administrator, users must contact the PBM NDF managers.

3.2.2 Access Control

The user must login with the PIV or Windows credentials at the SSOi login page. The user is authenticated by the IAM SSOi system against the VA Active Directory. The IAM SSOi system will authenticate the user and, if valid, allows the user access to the PECS application.

Within the PECS application, if the user session times out the user will be redirected to the SSOi central login page. After successful login, the confidentiality statement will be shown to the user. Once the confidentiality statement is accepted, the user will be redirected to the application home page. The confidentiality statement must be accepted at least once per user session.

A user’s role will determine the screens and operations that will be accessible. The table below details presents a security the matrix.

Table 7: Role-based Application Screens and Permitted Operations (Several Tables)

Menu Tab

Screen Page	Requester	Approver	Release Manager	Administrator
Home	X	X	X	X
Advanced Query/Customization	X	X	X	X

Screen Page	Requester	Approver	Release Manager	Administrator
Drug Pair Lookup	X	X		
Administration				X
Reports		X		X
Custom Updates			X	
Help	X	X	X	X
Contact Us	X	X	X	X

Home Page

	Type	Requester	Approver	Release Manager	Administrator
My Request History	Panel	X	X		
My Assigned Requests for Review	Panel		X		
My Assigned Requests for Approval	Panel		X		
My Assigned Requests for Deletion	Panel		X		
Unassigned Requests	Panel		X		
All Requests	Panel		X		

Advanced Query/Customization/My Queries

	Type	Requester	Approver	Release Manager	Administrator
Run A Saved Query	Panel	X	X	X	X
Save	Button	X	X	X	X
Delete	Button	X	X	X	X
Query Builder	Panel	X	X	X	X
AND	Button	X	X	X	X
OR	Button	X	X	X	X
Clear	Button	X	X	X	X
Query	Button	X	X	X	X
Query Result	Panel	X	X	X	X
Load	Button	X	X		

Advanced Query/Customization/Other User's Queries

	Type	Requester	Approver	Release Manager	Administrator
Run A Saved Query	Panel	X	X	X	X
Query Result	Panel	X	X	X	X
Load	Button	X	X		

Custom Updates

	Type	Requester	Approver	Release Manager	Administrator
Download Existing Update	Link			X	
Create New Update	Button			X	

Administration

	Type	Requester	Approver	Release Manager	Administrator
Save	Button				X
Cancel	Button				X
Null Drug Pair Removal	Button				X

3.3 User Notifications

User standard CDCO procedures for ANR, etc.

Step 1	<p>Send out email to:</p> <p>VA IT SDE EO EAS PEC SUSTAINMENT REDACTED</p> <p>PD PEC Team REDACTED</p> <p>VHAPBH NDF Support Group REDACTED</p> <ol style="list-style-type: none"> a. Subject: Per CO or ANR xxxxx AITC will bring down <ENV> to perform maintenance at hh:mm AM/PM CST b. Email line1: Per CO or ANR xxxxx AITC will bring down <ENV> to perform scheduled maintenance at hh:mm AM/PM CST c. Email line2: AITC will send out notice once the <ENV> is back online and ready for smoke test.
Step 2	<p>Login to the WebLogic GUI Admin console with your LAN ID; if this does not work, check the Password Vault for the environment and use the specified account.</p> <p>Shutdown the requested Managed Servers or Clusters as listed in the Change Order or Service Request.</p>

Step 3	<p>Verify maintenance/deployment completed</p> <p>Start the requested Managed Servers or Clusters as listed in the Change Order or Service Request.</p>
Step 4	<p>Send out email to:</p> <p>VA IT SDE EO EAS PEC SUSTAINMENT REDACTED</p> <p>PD PEC Team REDACTED</p> <p>VHAPBH NDF Support Group REDACTED</p> <ol style="list-style-type: none"> a. Subject: Per CO or ANR xxxxx AITC has successfully completed <ENV> maintenance at {time} CST. b. Email line1: Per CO or ANR xxxxx AITC has successfully completed <ENV> maintenance at {time} CST. c. Email line2: <ENV> is back online and ready for smoke test. d. Email line3: Please update this thread with test results and any outstanding issues.

System downtime due to application or system software upgrades will be planned with AITC. Users will be notified by PRE using the appropriate mailing lists. The notice will be provided at least two hours in advance. Notification will also be provided when the application becomes available again.

3.4 System Monitoring, Reporting, & Tools

Oracle Enterprise Manager and Grid Control are used to monitor availability and performance of the PECS database on the vapredbs1 server. Standard AITC thresholds are set for space monitoring, availability of the database, and network connectivity. Database administrators are alerted immediately if the monitoring tool detects a problem. In addition, if connectivity to the database fails, an incident ticket is created in the User Service Desk software and relayed to AITC management and the primary and secondary database administrator for the project.

System monitoring is done through the following:

1. WebLogic console
2. Introscope
3. CEM
4. Xpolog

3.4.1 Availability Monitoring

1. WebLogic console has the entire WebLogic environment configuration.
 - a. We can monitor the admin server, node manager and managed servers running states, and control managed servers start and stop activity.
 - b. Manager servers health and performance, application deployment state, database connection pools, and JMS can also be monitored from here.

2. Introscope: Monitoring tool. One agent per machine is deployed and it can provide in detail monitoring of all the WebLogic components from that environment. And monitoring alerts and notifications can be generated using this tool.

3.4.2 Performance/Capacity Monitoring

Patrol is utilized by AITC to capture Performance and Capacity activities.

It can monitor the http traffic coming from internet cloud to AITC.

3.5 Routine Updates, Extracts and Purges

The third Monday of each month, data is exported from the PREP production database, and imported into the pre-production database, PREY, and to the SQA database so testers can work with updated data.

The PECS application receives weekly data updates from the COTS vendor that affects the Oracle tables. The updates are applied automatically using DATUP. This same DATUP process is used whenever a released customized file is created from the PECS application. Refer to PECS_FDB-DIF_Custom_Data_Update_Process document that explains the details steps and process contained within the automation.

3.6 Scheduled Maintenance

Currently, there is no scheduled maintenance window for PRE. This will be needed in the future so AITC has a window to do server patching, etc.

Any normal changes that are initiated by the PRE team will come in a Request for Change form to the AITC Build Manager. These requests will be submitted by 12:00pm CST on Friday for a Monday implementation in the Pre-Production environment. Production requests must be received by 12:00pm on Tuesday for implementation on Wednesday. Emergency change requests will be implemented as soon as possible.

3.7 Capacity Planning

3.7.1 Initial Capacity Plan

The initial Capacity Planning for Storage was done by PRE and Enterprise Infrastructure Engineering (EIE) team as per the Application requirement. Subsequently, it was decided in concurrence with AITC Architect to add HBA cards to the Servers, so as PRE Servers have access to Storage Area Network (SAN) storage. The SAN storage will be used to expand the storage capacity for future use as needed.

4 Exception Handling

This section presents a list of possible exceptions/errors that may occur during normal operation.

4.1 Routine Errors

The system validates form field values per business rule and data integrity constraints before the form is submitted for processing. If values do not pass user interface validation, the user is redirected back to the wizard form and a message is displayed informing the user of the corrections needed. Please see Alternative Flows for data validation errors.

The system receives the value after form validation, and applies the appropriate business rules (if any) to the value. Examples of a business rule validation may include bounds checking, or any interdependencies that may exist between two data values. Please see Alternative Flows for data validation errors.

Like most systems, PECS may generate a small set of error that may be considered “routine”. These errors are routine in the sense that they have minimal impact on the user and do not compromise the operational state of the system. Most of the errors are transient in nature and only require the user to retry an operation. The following sub-section describes these errors, their causes, and what response, if any, an operator needs to take.

While the occasional occurrence of these errors may be routine, getting a large number of an individual errors over a short period of time is an indication of a more serious problem. In that case the error needs to be treated as an exceptional condition.

4.1.1 Security

Security is addressed at design tiers respective of the security requirement. Security authentication is provided by Identity and Access Management (IAM) Single Sign On internal (SSOi), and is abstracted by the services layer of the application.

The DATUP subsystem does not provide or enforce a security model. However, the system does access other system interfaces which may encounter security violations when accessed. The following known security errors may occur:

1. **Access to FTP denied** – The configured FTP Protocol over SSH (SFTP) account username and/or password is incorrect. To resolve this, the FDB-DIF Update DATUP configuration file should be modified to include the correct access information.
2. **Access to Email denied** – The configured email account username and/or password is incorrect. To resolve this, the FDB-DIF Update DATUP configuration file should be modified to include the correct access information.
3. **Access to FDB-DIF denied** – The configured JDBC driver URL, driver name, username, and/or password is incorrect. To resolve this, the FDB-DIF Update configuration file should be modified to include the correct access information.
4. **Access to “temporary” directory denied** – The WebLogic process does not have sufficient permission to write to the operating system defined temporary directory (e.g., “/tmp”). To resolve this, the WebLogic process should be granted write access to the temporary directory.

4.1.2 Time-outs

Time out may occur when accessing third party Database. Sometimes queries are dependent upon the availability of the database or run out of time if a large results query is requested.

The following process has a known potential timeout in the DATUP subsystem:

Java Messaging Service – A Local JMS send will timeout if it is unable to connect to the National JMS server. To resolve this, the National WebLogic server port should be made accessible from the Local site.

4.1.3 Concurrency

No information at this time.

4.2 Significant Errors

Significant errors can be defined as errors or conditions that affect the system stability, availability, performance, or otherwise make the system unavailable to its user base. The following sub-sections contain information to aid administrators, operators, and other support personnel in the resolution of errors, conditions, or other issues.

4.2.1 Application Error Logs

PECS uses the Apache Log4j framework for logging. Log files are accessible to authorized users through the web-based Xpolog tool.

Logs location - /u01/app/bea/user_projects/domains/pecs-<Env>/

Maxfilesize=10000KB

Max. backed up files are 10.

Growth rate =

5 Application Error Messages and Descriptions

This chapter lists all PECS error, informational, and warning messages and describes what caused them to display. In cases where the support team needs to be contacted, there will usually be a "please contact the support team" statement within the message.

5.1 Customization Messages

This section lists the messages that could appear when a user customizes a Drug-Drug Interaction, Drug Pair, Dose Range, Duplicate Therapy, or Professional Monograph FDB record.

5.1.1 All Concepts

This section lists the error, informational, and warning messages that can appear for all concepts. If the support team needs to be notified, the statement to notify them is highlighted in yellow.

Error Messages

This section lists the error messages that can appear for all concepts.

All Concepts Error Message	Cause
Current Action Reason field is required	User didn't fill out the 'Current Action Reason' field.
Action 'Submit as Reviewed' cannot be performed on modified records. Please click the 'Modify' button after changing fields. Field '<name of field>' cannot be changed for this action	Approver modifies an FDB field on a custom record in the Modified or Deleted action status and clicks the 'Submit as Reviewed' button
Action 'Submit for Delete' cannot be performed on modified records. Please click the 'Modify' button after changing fields. Field '<name of field>' cannot be changed for this action	Approver modifies an FDB field on a custom record in the Approved or Deleted action status and clicks the 'Submit for Delete' button

Informational Messages

This section lists the informational messages that can appear for all concepts.

All Concepts Information Message	Cause
This custom record has been successfully submitted and will be reviewed at the national level.	Either the user clicked the 'Customize' button on an FDB record or the approver modified an FDB field on a custom record in the Approved or Deleted action status and clicked the 'Modify' button
This custom record has been successfully rejected.	User clicked the 'Reject' button on a VA custom record and did not previously click the 'Submit for Delete' or 'Submit as Reviewed' button.
This custom record has been successfully submitted for review.	Approver clicked the 'Submit for Review' button on a VA custom record and didn't fill out any FDB fields on the customization.
This custom record has been approved.	Approver clicked the 'Approve' button on a custom record.

All Concepts Information Message	Cause
This custom record has been successfully modified and will be reviewed at the national level.	Approver modified several non-FDB fields on a custom record in the Approved action status and clicked the 'Modify' button.
This custom record has been successfully submitted for delete.	Approver clicked the 'Submit for Delete' button on a custom record in the Approved action status whose associated drug pairs had been deleted.
This custom record has been successfully deleted.	Approver clicked the 'Delete' button on a customization in the Delete_Reviewed action status.
This request for deletion has been rejected. The record has returned to previous action status ('Approved').	Approver clicked the 'Submit for Delete' button on a custom record in the Approved action status and then, the user clicked the 'Reject' button.
This reviewed record has been rejected. The record has returned to previous action status ('Deleted').	Approver clicked the 'Submit as Reviewed' button on a custom record in the Deleted action status and then, the user clicked the 'Reject' button.'
This request for modification has been rejected. The record has returned to previous action status ('Approved').	Approver modified an FDB field on a custom record in the Approved action status and clicked the 'Modify' button and then, the user clicked the 'Reject' button.
This request for modification has been rejected. The record has returned to previous action status ('Deleted').	Approver modified an FDB field on a custom record in the Deleted action status and clicked the 'Modify' button and then, the user clicked the 'Reject' button.
To update the record, click the edit button below.	User has entered the detail page for one of the concepts. (When a user first enters a detail page, it will be in read-only mode. The only way a user will be able to update the detail page is to click the Edit button.)

5.1.2 Dose Range

This section lists the Dose Range error, informational and warning messages.

Error Messages

This section lists the Dose Range error messages.

Dose Range Detail Page Error Message	Cause
Unable to perform field validation due to: "+ex.getMessage()); Please report this error to the support team.	User chooses a VA customized table, and the system is unable to retrieve the field names to display. Note –Based on how the code is currently written, this error should never occur.
The customized Dose Range Check record could not be found. Please report this error to the support team.	User queries for a dose range record and the system can't correctly parse the record to display.
FDB customized object was not found in the database. Please report this error to the support team.	User chooses an FDB record to customize, and the system is unable to retrieve the FDB record.

Dose Range Detail Page Error Message	Cause
Unable to perform the load operation on the customization. Record cannot be retrieved. Please report this error to the support team.	User attempts to retrieve a record, and the system is unable to execute the process.
Unable to perform the update operation on the customization. Please report this error to the support team.	User attempts to perform a customization, and the system is unable to execute the process.
The age range entered overlaps with an existing customization.	User enters values in the 'Age Low In Days' and 'Age High in Days' fields that overlap with an age range on an existing customization.
The age low and age high in days fields cannot both be zero (or blank) at the same time.	User either enters value of zero in both the 'Age Low in Days' and 'Age High in Days' fields or leaves both fields blank.
Age Low In Days field must be numeric and cannot contain more than 10 characters.	Either the user enters a value in the 'Age Low in Days' field that is greater than 10 numeric characters or enters a non-numeric value.
Age High In Days field must be numeric and cannot contain more than 10 characters.	Either the user enters a value for Age High in Days field that is greater than 10 numeric characters or the user enters a non-numeric value.
The value in the Age High in Days field that is less than the value of the Age Low in Days field.	The value in the 'Age High in Days' field that is less than the value of the 'Age Low in Days' field.
Dose Route field is required.	User enters a blank value in the 'Dose Route' field.
Dose Type field is required.	User enters a blank value in the 'Dose Type' field.
Dose Low field must be a number up to 10 digits including a maximum of six digits to the right of the decimal point.	Either the user enters a value in the 'Dose Low' field that is either greater than ten digits or has more than six digits to the right of the decimal point or the user enters a non-numeric value.
Dose High field must be a number up to 10 digits including a maximum of six digits to the right of the decimal point.	Either the user enters a value in the 'Dose High' field that is either greater than ten digits or has more than six digits to the right of the decimal point or the user enters a non-numeric value.
DOSEFORMLOW field must be numeric.	User enters a non-numeric value in the 'Dose Form Low' field.
DOSEFORMHIGH field must be numeric.	User enters a non-numeric value in the 'Dose Form High' field.
FREQUENCYLOW field must be numeric.	User enters a non-numeric value in the 'Frequency Low' field.
FREQUENCYHIGH field must be numeric.	User enters a non-numeric value in the 'Frequency High' field.
DURATIONLOW field must be numeric.	User enters a non-numeric value in the 'Duration Low' field.

Dose Range Detail Page Error Message	Cause
DURATIONHIGH field must be numeric.	User enters a non-numeric value in the 'Duration High' field.
MAXDURATION field must be numeric.	User enters a non-numeric value in the 'Max Duration' field.
MAXSINGLEDOSE field must be numeric.	User enters a non-numeric value in the 'Max Single Dose' field.
MAXSINGLEDOSEFORM field must be numeric.	User enters a non-numeric value in the 'Max Single Dose Form' field.
MAXDAILYDOSE field must be numeric.	User enters a non-numeric value in the 'Max Daily Dose' field.
MAXDAILYDOSEFORM field must be numeric.	User enters a non-numeric value in the 'Max Daily Dose Form' field.
MAXLIFETIMEDOSE field must be numeric.	User enters a non-numeric value in the 'Max Lifetime Dose' field.
MAXLIFETIMEDOSEFORM field must be numeric.	User enters a non-numeric value in the 'Max Lifetime Dose Form' field.
DOSERATELOW field must be numeric.	User enters a non-numeric value in the 'Dose Rate Low' field.
DOSERATEHIGH field must be numeric.	User enters a non-numeric value in the 'Dose Rate High' field.
DOSEFORMRATELOW field must be numeric.	User enters a non-numeric value in the 'Dose Form Rate Low' field.
DOSEFORMRATEHIGH field must be numeric.	User enters a non-numeric value in the 'Dose Form Rate High' field.
MAXSINGLEDOSERATE field must be numeric.	User enters a non-numeric value in the 'Max Single Dose Rate' field.
MAXSINGLEDOSEFORMRATE field must be numeric.	User enters a non-numeric value in the 'Max Single Dose Form Rate' field.
MAXDAILYDOSERATE field must be numeric.	User enters a non-numeric value in the 'Max Daily Dose Rate' field.
MAXDAILYDOSEFORMRATE field must be numeric.	User enters a non-numeric value in the 'Max Daily Dose Form Rate' field.
HEPATICIMPAIRMENTIND field must be numeric and cannot contain more than 6 characters.	Either the user enters a non-numeric value in the 'Hepatic Impairment Indicator' field or the user enters a value that is greater than six digits.
RENALIMPAIRMENTIND field must be numeric and cannot contain more than 6 characters.	Either the user enters a non-numeric value in the 'Renal Impairment Indicator' field or a user enters a value that is greater than six digits.
CRCLTHRESHHOLD field must be numeric and cannot contain more than 6 characters.	Either the user enters a non-numeric value in the 'Creatinine Clearance Threshold' field or the user enters a value that is greater than six digits.
LOWELIMINATIONHALFLIFE field must be numeric	User enters a non-numeric value in the 'Low Elimination Half Life' field.

Dose Range Detail Page Error Message	Cause
HIGHELIMINATIONHALFLIFE field must be numeric	User enters a non-numeric value in the 'High Elimination Half Life' field.
WEIGHTREQUIREDIND field must be numeric and cannot contain more than 6 characters.	Either the user enters a non-numeric value for 'Weight Required Indicator' field or the user enters a value greater than six digits.
BSAREQUIREDIND field must be numeric and cannot contain more than 6 characters.	Either the user enters a non-numeric value for 'BSA Required Indicator' field or the user enters a value greater than six digits.
Reference Text field cannot contain more than 1024 characters.	User enters more than 1024 characters in the 'Reference Text' field.
System error, the navigation action is not valid. Please report this error to the support team.	User attempts navigation that is not coded. Note – according to the developer this scenario is impossible, though it is in the code
System error, wizard flow is not consistent with this action. Please report this error to the support team.	User attempts an action that is not coded. Note – according to the developer this scenario is impossible, though it is in the code
System error, unable to perform the customization on this record. Please report this error to the support team.	User attempts to save a record, and the system is unable to execute the process.
'X' UNITS field cannot be blank when 'X' field has numeric value.	User modifies a record that has a blank units field for a corresponding field containing a numeric value. For example, the 'Dose Low' field contains a number with no corresponding dose low units.
Concept Type/Concept ID Number combination does not exist in FDB (Note: This is a popup error message.)	User enters an invalid Concept ID Number on the Open Blank Form page
Cannot customize. Invalid Concept Type/Concept ID Number combination	User tries to customize a record with a new Concept ID Number on the Open Blank Form page
MAXSINGLETEDOSE field must be numeric	User enters a non-numeric value in the Max Single Not to Exceed (NTE) Dose field
MAXSINGLETEDOSEFORM field must be numeric	User enters a non-numeric value in the Max Single NTE Dose Form field
MAXSINGLETEDOSE field must be a number up to 10 digits including a maximum of six digits to the right of the decimal point	User enters a value that is more than 10 digits or has more than 6 digits after the decimal point in the Max Single NTE Dose field
MAXSINGLETEDOSEFORM field must be a number up to 10 digits including a maximum of six digits to the right of the decimal point	User enters a value that is more than 10 digits or has more than 6 digits after the decimal point in the Max Single NTE Dose Form field

Dose Range Detail Page Error Message	Cause
'x' field cannot be blank when 'y' field has numeric value Where x = the NTE unit field (MAXSINGLENTEDOSEUNIT or MAXSINGLENTEDOSE FORMUNIT) y = the NTE dose field (MAXSINGLENTEDOSE or MAXSINGLENTEDOSEFORM)	User enters a value for the Max Single NTE Dose or Max Single NTE Dose Form field but leaves the corresponding units field blank (Max Single NTE Dose Unit or Max Single NTE Dose Form)

Informational Messages

Dose Range informational messages are in the All Concepts Informational Messages section.

Warning Messages

This section lists the Dose Range warning messages.

Dose Range Detail Page Warning Message	Cause
A request for customization exists for this dosing concept id: x submitted by: y, updated on z. See below for the duplicate VA custom record details.	User selects an FDB record to customize for which a VA custom record already exists

5.1.3 Drug-Drug Interaction

This section lists the Drug-Drug Interaction error, informational and warning messages.

Error Messages

This section lists the Drug-Drug Interaction error messages.

Drug-Drug Interaction Error Messages	Cause
Interaction Description is required	User doesn't input a value into the 'Interaction Description' field.
Interaction Description field is invalid; it must contain two drug names separated by a forward slash/	User inputs more than one forward slash (/) when entering a value into the Interaction Description field.
Record could not be retrieved due to missing ID number. Please report this error to the support team.	User selects a DDI VA record from the query results to modify, but the record id is null or empty ("").
The specified FDB record was not found. Please report this error to the support team.	User selects an FDB record to customize but it cannot be found in the database for the given FDB interaction id. This error displays in the FDB table results area and the detailed page doesn't get loaded.
The specified FDB interaction ID has errors. Please report this error to the support team.	User selects an FDB record to customize; however, multiple FDB records are in the database for the given interaction id. This error displays in the FDB table results area and the detailed page doesn't get loaded.

Drug-Drug Interaction Error Messages	Cause
The specified Interaction ID has errors. Please report this error to the support team.	An FDB record cannot be retrieved from the FDB database for the given interaction id when selected for customization or a VA record cannot be retrieved from the staging database for the given id when selected for modification because the interaction id is invalid or inactive or deleted.
The specified VA Custom interaction ID has errors. Please report this error to the support team.	User selects a DDI VA record to modify; however, the customized VA record cannot be found in the database for the given interaction id. This error displays in the VA table results area and the detailed page doesn't get loaded.

Informational Messages

This section lists the DDI informational messages.

Drug-Drug Interaction Informational Messages	Cause
The custom severity level entered is less than the FDB reference record severity level.	User selects an FDB record to customize and selects a severity level that is lower than the FDB reference record severity level. For example, the FDB record severity level is 2 but the user selects a severity level of 3.
The interaction does not have any associated drug pairs. Click on the DrugPairs button to add drug pairs to the interaction.	The custom DDI record in the New, Reviewed, or Modified (after Delete) action status does not have any drug pairs associated with it.
The associated drug pairs are not all reviewed yet. To submit this interaction as reviewed, you must review all associated drug pairs. First click on the Drug Pairs button then take appropriate action.	The drug pairs associated with the DDI custom record are not all in the Reviewed action status. They may all be in the 'New' action status or some of them may be 'New' while others are in the 'Reviewed' action status.
The associated drug pairs are not all approved as yet. To approve the interaction, you must approve all the associated drug pairs first. Click on the Drug Pairs button to view and approve the associated drug pairs.	The drug pairs associated with the DDI custom record are not all in the Approved action status. They may all be in the 'Reviewed' action status or some of them may be 'Reviewed' while others are in the 'Approved' action status.
Click on the Drug Pairs button to add or remove drug pairs to the interaction.	Approver modified an FDB field on a custom record in the Approved action status and clicked the 'Modify' button.
The associated drug pairs are all in the rejected state.	The drug pairs associated with a DDI custom record are all in the Rejected action status.
The associated drug pairs are not all rejected or deleted yet. You must click on the Drug Pairs button then take appropriate action.	Approver rejected a DDI custom record in the Reviewed action status while its drug pairs were still in the Approved action status.
Following VA custom record(s) already exist for this FDB Drug-Drug Interaction.	User opened an FDB DDI detail page from the Advanced Query/Customization tab and the FDB DDI has some VA custom records already created from it. This message is displayed on the FDB DDI Detail page if the FDB DDI has a VA custom record associated with it.

Drug-Drug Interaction Informational Messages	Cause
Following additional VA custom record(s) exist for the corresponding FDB Drug-Drug Interaction.	The user opened a VA custom record from the Advanced Query/Customization tab and the corresponding FDB DDI was used to create more than one VA record. This message is displayed on the VA DDI Detail page if the corresponding FDB DDI has more than one VA custom record.

Warning Messages

This section lists the DDI warning messages.

Drug-Drug Interaction Warning Messages	Cause
The interaction '<Drug A/Drug B>' is already customized with severity 'x'. See below for the duplicate VA custom record details.	User requests an FDB customization and changes the Severity Level Code. However, there is already an existing custom VA record at the requested severity level. For example, a requestor selects an FDB record to customize from severity level code 3 to 2. But there is already an existing custom VA record created from this FDB record at severity level 2.

5.1.4 Drug Pair

Messages on the Drug Pair Customization Page

Error Messages

This section lists the Drug Pair Customization Page error messages.

Drug Pair Customization Message	Cause
The specified Drug-Drug Pair ID has errors. Please report this error to the support team.	User tries to display drug pair whose record id is the incorrect length. Note – the record id is an internal database element
Custom interaction is null on drug pairs wizard table. Please report this error to the support team.	User tries to reference a drug pair by the drug interaction ID and the data record cannot be retrieved from the database.
Routed Generic #1 and Routed Generic #2 cannot be the same value. X Where X is the drug name	On the Drug Pair Customization page accessed by the 'Drug Pair' button on the drug-drug interaction customization detail page, user adds a drug pair to a Drug-Drug interaction by selecting a pair of routed generic drugs in which both drugs in the pair are the same drug.
Unable to perform the save operation on the customization. (Drug pairs cannot be added to a deleted interaction)	On the Drug Pair Customization page accessed by the 'Drug Pair' button on the drug-drug interaction customization detail page for a Drug-Drug interaction with a Deleted or Delete Reviewed action status, user tries to add a drug pair.
Unable to perform the save operation on the customization. (Field 'Current Action Reason' is required)	User adds a drug pair to a Drug-Drug interaction without entering a current action reason by either adding an FDB drug pair or selecting a pair of routed generic drugs.

Drug Pair Customization Message	Cause
Enter values in text boxes below and click 'Customize' to add drug pairs to interaction.	When using the 'Drug Pair' button on the drug-drug interaction customization detail, user chooses to expand the option to 'Select Drug Pairs to add to the above VA Custom Interaction page
Select from list of FDB drug pairs - note that at least one drug pair must be chosen before clicking the Customize button.	When 'Drug Pair' button on the drug-drug interaction customization detail page, user chooses to select a drug pair to add to the custom drug-drug interaction by selecting an FDB drug pair
Select from list of Generic drug pairs - note that a drug pair must be chosen before clicking the Customize button. Routed Generic #1 and Routed Generic #2 fields cannot be the same value. Routed Generic #1 and Routed Generic #2 must follow the same order as the Interaction Description.	When using the 'Drug Pair' button on the drug-drug interaction customization detail page, user chooses to select a drug pair by selecting from routed generic drug lists
Either no drug pairs exist for this custom interaction or there are no drug pairs for the current Action Status filter. Please update the Action Status filter or create new custom drug pair(s) for this interaction by clicking on 'Select Drug Pairs to add to the above VA Custom Interaction'.	On the Drug Pair Customization page accessed by the 'Drug Pair' button on the DDI Detail page, the user chooses to view and/or edit associated drug pairs when either the DDI has no associated drug pairs or there are no drug pairs for the Action Status filter that was selected.
Select/Deselect All Drug Pairs Displayed from VA Custom Interaction	On the Drug Pair Customization page accessed by the 'Drug Pair' button on the drug-drug interaction customization detail page for a Drug-Drug interaction, user chooses to view and/or edit associated Drug-Drug pairs.
Now showing x of y total records. Where x is the number of associated drug pairs filtered to display and y is the total number of associated drug pairs.	On the Drug Pair Customization page accessed by the 'Drug Pair' button on the drug-drug interaction customization detail page for a Drug-Drug interaction, user chooses to get a count of the displayed and total associated drug pairs.
Attempt to create duplicate drug pair(s): x Where x is each pair of duplicate routed generic drugs that cannot be created.	On the Drug Pair Customization page, the user tries to customize one or more duplicate DPs from the Routed Generic Drug List.
Attempt to create duplicate drug pair(s): x. This Drug Pair combination already exist for the Interaction ID y. Drug Pair must first be deleted from Interaction ID y to be added to this new VA custom DDI with Interaction ID z Where x is each pair of duplicate routed generic drugs that cannot be created; y is the other interaction that is associated with the duplicate drug pair; z is the current interaction.	On the Drug Pair Customization page, the user tries to customize one or more drug pairs that already exist on an associated interaction,

Drug Pair Customization Message	Cause
Another pair exists with the drugs in reverse order: x Where x is each pair of routed generic drugs whose reverse already exists.	On the Drug Pair Customization page, the user tries to customize one or more DPs that are the reverse of a drug pair that already exists on the current interaction.
Another pair exists with the drugs in reverse order: x. This Drug Pair combination already exists (in reverse order) for the Interaction ID: y. The Drug Pair must first be deleted from Interaction ID: y to be added to this new VA custom DDI with Interaction ID: z Where x is each pair of routed generic drugs whose reverse already exists; y is the interaction that is associated with the reverse drug pair; z is the current interaction.	On the Drug Pair Customization page, the user tries to customize one of more drug pairs that are the reverse of a drug pair that already exists on an associated interaction,
Existing VA Custom Record(s)	When a User opens the Drug Pair Customization Page, a list of custom records for the associated FDB DDI appears.

Messages on the Drug Pair Lookup Query Page

Error Messages

Drug Pair Lookup Page Message	Cause
No VA custom records.	User submits a drug pair query that finds FDB records but no customized VA records
x is not a number, only numbers are Allowed. where x is the value entered for the interaction.	User submits a non-numeric value in the interaction field in a drug pair query
No VA custom records. and No FDB records.	User submits a drug pair query that finds no customized VA records or FDB records
The Drug-Drug interaction 'x' has not been customized. You must customize the Drug-Drug interaction prior to customizing the Drug-Drug pair. Where x is the selected interaction id and interaction id description	User chooses to view a FDB defined drug pair that is not associated with a customized VA drug-drug interaction
The selected drug pair is associated with the VA custom interaction 'x' with severity 'y'. See below for the duplicate VA custom record details. Where x is the interaction description and y is the severity level code.	User chooses to view an FDB defined drug pair that is associated with a customized VA drug-drug interaction

Messages on the Single Drug Pairs Detail Page

Error Messages

Single Drug Pairs Detail Page Message	Cause
The specified Drug Pair ID has errors. Please report this error to the support team.	User clicked the Drug Pair Lookup button, selected a drug pair from the FDB table, and got a message that the drug pair ID has errors.
The Drug-Drug interaction <Drug A/Drug B>' has not been customized. You must customize the Drug-Drug interaction prior to customizing the Drug-Drug pair. Do you want to customize the Drug-Drug interaction?	User does a drug pair query, selects a FDB drug pair associated with an FDB Drug interaction that has never been customized and sees a Drug-Drug Interaction Message instead of the Drug Pairs detail page
The selected drug pair is not customized. The drug interaction <Drug A/Drug B> has been customized with severity level 'x'. Customization of this drug pair can be done only through the VA custom Drug-Drug Interaction detail page.	User does a drug pair query and selects a drug pair in the FDB table. The drug pair is not customized but its parent DDI has already been customized.
The selected drug pair is associated with the VA custom interaction 'x' with severity 'y'. See below for the duplicate VA custom record details. Further customization or deletion of this drug pair can be done only through the VA custom Drug-Drug Interaction detail page.	User does a drug pair query and selects a drug pair in the FDB table. The drug pair and its parent DDI are customized.
Further customization or deletion of this drug pair can be done through the VA custom Drug-Drug Interaction detail page.	User does a drug pair query and selects a drug pair in the VA table

Informational Messages

Single Drug Pairs Detail Page Message	Cause
The selected drug pair is also associated with VA Custom Interaction 'x' with severity level 'y' and is in the <Rejected or Deleted> action status. Where 'x' is the Interaction ID and Description and 'y' is the severity level.	User does a query on an FDB drug pair that has these characteristics: <ol style="list-style-type: none"> The drug pair is associated with an FDB DDI that has been customized more than once; On all of the older VA customizations, the drug pair has been rejected and/or deleted; On the latest VA customization, the drug pair is in the New, Modified, Reviewed, Approved, Delete_Reviewed, or Deleted action status. <p>After the user does a query on an FDB drug pair that has all three traits mentioned above, the drug pair displayed on the Drug Pairs Detail Page is the one associated with the latest VA customization and the drug pair for all of the other VA customizations is described in the message listed on the left.</p>

5.1.5 Duplicate Therapy

This section lists the Duplicate Therapy error messages.

Error Messages

Duplicate Therapy error messages are listed below.

Duplicate Therapy Message	Cause
Custom String field is required	User does not input any data into the 'Custom String' field
The specified Duplicate Therapy Customization ID (DTCID) could not be found. Please report this error to the support team.	User selects a DT FDB record to customize; however, an FDB record cannot be found in the database for the given Duplicate Therapy Customization ID (DTCID). An error message will appear before the detail page is loaded.
The specified Duplicate Therapy Customization ID (DTCID) could not be found. Please report this error to the support team.	User selects a DT VA record from the query results to modify. However, the VA record ID is null or empty ("") for some reason.
The specified Duplicate Therapy Customization ID (DTCID) could not be found. Please report this error to the support team.	User selects a DT FDB record from the query to customize. However, the DTCID is null or empty ("") for some reason.
The specified Duplicate Therapy Customization ID (DTCID) could not be found. Please report this error to the support team.	The user selects a VA customized record from the list and for some reason; the DTCID is invalid, inactive, or deleted.
Field must be numeric and cannot contain more than 10 characters.	DTCID is null or has a length greater than ten.
The specified VA custom record could not be found. Please report this error to the support team.	The user selects a record from the VA customization list; however, the detailed information for the customized record is missing from the database. This error appears after the user selects the customized record from the list.

Informational Messages

Duplicate Therapy informational messages are listed below.

Duplicate Therapy Message	Cause
Following VA custom record already exists for this FDB Duplicate Therapy: [DTCID]	User opens an FDB duplicate therapy record that has an associated VA custom record.

5.1.6 Professional Monograph

Error Messages

Professional Monograph Detail Page Message	Cause
Monograph Title is required	User didn't fill in the 'Monograph Title' field

Professional Monograph Detail Page Message	Cause
The Professional Monograph FDB reference record was not found in the database. Please report this error to the support team	User selected a Professional Monograph record in the FDB table. However, it wasn't found in the database.
Multiple Professional Monograph FDB reference records were found in the FDB database for the specified ID. Please report this error to the support team	User selected a Professional Monograph record in the FDB table but multiple records were found in the database for the specified ID.
The specified Professional Monograph ID has errors. Please report this error to the support team	User customized a Professional Monograph. However, the record couldn't load from the FDB table.
The customization was not found. The monograph may be invalid, or it may have an INACTIVE or DELETED status. Please report this error to the support team	User selected a Professional Monograph record in the VA table. However, the custom record was not found in the database.
Unable to perform the update operation on the customization. Custom monograph title '<monograph title>' is not unique.	User inputs a monograph title that already exists.

Informational Messages

Professional Monograph Detail Page Message	Cause
Following VA custom record exists for this FDB Professional Monograph: [Monograph ID]	User opens an FDB professional monograph record that has an associated VA custom record.

Warning Messages

Professional Monograph Detail Page Warning Message	Cause
The monograph with title '<title>' is already customized. See the duplicate VA custom record details below	Requestor did a query of FDB monographs and selected a monograph that had already been customized.

5.2 Custom Update Messages

5.2.1 Error Messages

Custom Update Page Message	Cause
Unable to generate the update file. The update file specified does not exist or could not be located.	Release manager selects a custom update and clicks the 'Download Existing Update' button. However, the system is unable to generate the update file.
Unable to generate the update file. Failed to create customization update file	Release manager clicks the 'Create New Update' button. However, the system is unable to generate the update file.

5.3 Query Pages Messages

5.3.1 Error Messages

Query Page Message	Cause
Either a system error occurred, or the query timed out, and the query could not be executed at this time. Resubmit query. If problem persists, report this error to the support team.	User submits a query that errors during execution or cannot be executed
The list of columns set for display could not be loaded from the database. Resubmit query. If problem persists, report this error to the support team.	User queries the database and the list of columns to display is empty because of a failure in the process that retrieves the data from the database
Either a system error occurred or the query operation timed out, and the operation to save the query could not be executed. Resubmit query. If problem persists, report this error to the support team.	Approver tries to save a query, but it cannot be saved due to a database issue
This query was not correctly saved and must be rebuilt after it is deleted. Please report this query to the support team to ensure it is deleted properly.	Approver saves a query on a page which displays both custom VA and FDB records, but the query does not correctly save with custom VA table names due to a system problem Note – according to the developer this scenario is impossible, though it is in the code

Query Page Message	Cause
One or more saved queries were unable to be retrieved at this time. Resubmit query. If problem persists, report this error to the support team.	Approver tries to access his or her saved queries and they cannot be retrieved from the database
Saved query was not found and is unable to be deleted at this time. Resubmit query. If problem persists, report this error to the support team.	Approver tries to delete a query and it cannot be retrieved from the database
Either a system error occurred or the query operation timed out, and the operation to execute the Others query could not be executed. Resubmit query. If problem persists, report this error to the support team.	User tries to access queries saved by other users and they cannot be retrieved from the database

5.3.2 Informational Messages

Query Page Message	Cause
No query results found. Please (re)submit a query.	User submits a query for either FDB or customized VA records that finds no records
There were no Custom records found that matched your query parameters. and There were no FDB records found that matched your query parameters.	User submits a query for both customized VA records and FDB records that finds no records
There were no FDB records found that matched your query parameters.	User submits a query for both customized VA records and FDB records that finds only customized VA records
The selected query could not be loaded. Please reselect the query parameters to refresh the saved searches.	User tries to load a query saved by another user and the query was deleted since the time the name was displayed.
There were no Custom records found that matched your query parameters.	User submits a query for both customized VA records and FDB records that finds only FDB records
Your query saved successfully with name: 'x' where x is the name I assigned the query or "Unnamed Query" if I did not assign the query a name. No change	Approver saves a query
The maximum of 10 saved queries already exists. Delete a query before attempting to save.	User tries to save a query, but 10 queries have already been saved.
Your query was successfully deleted.	Approver deletes a query saved by him
You cannot delete a saved query created by another user.	Approver tries to delete a query saved by a different user

5.4 Record Locking Messages

5.4.1 Popup Messages

Popup Message	Cause
This record is being edited by user <user id> and is unavailable for editing.	User clicked the Edit button on the detail page. However, another user is currently editing the record.
This record was recently modified by another user and is no longer current. Click OK to open the current record.	A state change was performed on the record after the user opened it. This happens when User A opens a record in 'read only' mode while User B opens the same record, clicks the Edit button, and performs a state change.
This action will cause you to lose any edits you may have made. Click OK to proceed or click cancel to continue editing this record.	The detail page was in Edit mode and the user clicked the Cancel Edit button.
<p>Note: This message is browser-dependent.</p> <p>From Internet Explorer 7 (IE7): Are you sure you want to navigate away from this page? Click OK to continue, or cancel to stay on the current page.</p> <p>IE9: Are you sure you want to leave this page? (System gives option to leave this page or stay on this page)</p> <p>Firefox: This page is asking you to confirm that you want to leave – data you have entered may not be saved. (System gives option to leave this page or stay on this page.)</p>	User tried to navigate away from the page or closed their browser prior to clicking a state change button.
Your editing session on this page will end in one minute. To avoid losing your changes, click OK to extend your editing session.	The detail page was in Edit mode and the user was inactive for nineteen minutes.

5.5 Reports Pages Messages

There are no reports page messages.

6 Infrastructure Errors

VHA IT systems rely on various infrastructure components. These components will have been defined in the Logical and Physical Descriptions section of this document. Most, if not all of these infrastructure components generate their own set of errors. Each Component has its own sub-section and describes how errors are reported. The sub-sections are typical list of components and are meant to be modified for each individual system.

The sub sections are not meant to replicate existing documentation on the infrastructure component. If documentation is available online then a link to the documentation is appropriate. Each sub-section should contain implementation specific details such and Database names, server names, paths to log files, etc.

PRE Team will work with AITC resources to resolve the Infrastructure errors. AITC will be responsible for System, Network, Database and PRE will provide the support as SME and on PECS application.

6.1 Database

Oracle monitoring tools monitor several aspects of the PECS databases and alert database administrators via email and create service desk tickets for conditions such as “disk full errors or tablespace full”, archive log directory full, database down, connectivity to database down, etc.

In addition, as with all Oracle databases, errors within the database are recorded in the Oracle alert log for the database and trace files are created that will allow DBAs to review any errors. Any such errors are emailed to the database administrators daily.

6.2 Web Server

At this Time the PECS application does not implement a Web server front end, or the WebLogic/Apache Plug-in is not being utilized officially. Apache writes output to Logs Located on the Linux web server, to the directory /var/log/httpd/, unless changed in the httpd.conf configuration file. Access to these usually requires SUDO or ROOT access.

6.3 Application Server

The PECS application and WebLogic log in conjunction assist in the Troubleshooting of the App or the WebLogic portal. PECS Logs are located in the

`${DOMAIN_HOME}/PECSLogs` directory, consisting of the Following Files: `ct_prod.log`, `hibernate.log`, `server.log`, `spring.log`, and `struts.log`.

Assistance from PECS Java Developers may be required to parse the Logs files to determine any issues.

The WebLogic application server logs reside in the

`${DOMAIN_HOME}/servers/${Each_Managed_Server_name}/logs/`.

There are 2 primary log files to review:

- `${Each_Managed_Server_name}.log`
- `${Each_Managed_Server_name}.out`.

The WebLogic administrator should be able to parse these files. Assistance from PECS Java Developers may be required if out to the scope of the WebLogic Administration skill set.

6.4 Network

Using Orion, a Solar Winds monitoring tool, AITC Service Desk and/or network engineers monitor the layer 2 and layer 3 network switches. If an alarm is generated by Orion, AITC Service Desk will create a service ticket, and then attempt to triage the problem. AITC Service Desk, which operates 24x7, will notify the appropriate personnel. Appropriate personnel will triage the issue and work on the resolution of the issue.

6.5 Authentication and Authorization

Authentication errors can be reported if user encounters errors on the SSOi login page using their PIV card or the Windows network ID.

User roles-based authorization is managed within the application using Database tables. All users have the default Requestor role.

6.5.1 User SSOi Logout

If the user has issues with the SSOi session, one of the following options can be used to reset the user's SSOi session.

- The user can go to the IAM SSOi Landing page using the link below and click on the Logout button.
- REDACTED
- The user can go to the IAM SSOi Logout page using the link below. The user will be logged out of SSOi.
- REDACTED
- The user can go to the browser Internet Options and under the Content tab, the user can click on the Clear SSL state button.

6.6 Dependent System(s)

The dependent systems are those used for authentication and authorization. See [Section 2.5, Dependent Systems](#), for a discussion of errors.

7 System Recovery

The following sub-sections define the process and procedures necessary to restore the system to a fully operational state after a service interruption. Each of the sub-sections starts at a specific system state and ends up with a fully operational system.

PECS is designated as Routine Support for disaster recovery. This level of support will acquire replacement processing capacity after an AITC disaster declaration. The recovery time objective (RTO) is that it will be operational when the AITC resumes regular processing services or no later than 30 days after a disaster declaration. Data will be restored from the last backup (recovery point objective (RPO)).

System backups of the vapredbs1 server are performed on the following basis;

- Full backups are performed on Sundays and kept for one month. This means that at any time, there should be four full backup tapes available for each server.
- Tapes are normally dispatched offsite on Mondays.
- Differentials are run for the remainder of the week to capture daily changes.
- Differential results are sent offsite on Mondays.
- Oracle RMAN is the application used to perform full backups of the PREP database every Tuesday and Saturday morning. The tapes are retained offsite for one month. RMAN is also used to back up archive logs and the control file database to tape daily and are also retained offsite for a month. The full database backups run for about 40-45 minutes. The archive log backups are shorter, which run about 25-30 minutes.

This section provides procedures for recovering the application at the alternate site, while Section 5.0 describes other efforts that are directed to repair damage to the original system and capabilities. Backup procedures are also defined in this section.

Procedures are outlined for each team required to complete the recovery. Each procedure should be executed in the sequence it is presented to maintain efficient operations.

The Team Leader or designee will provide hourly recovery status updates to the Austin Service Desk (ASD).

7.1 Restart After Non-Scheduled System Interruption

This section's instructions are identical to those found in Section 3.1, Administrative Procedures.

Software is recovered from images stored on the SAN. The same recovery procedures listed in ACP 4.1 should be followed for a return to original site restoration. An alternate site would need comparable equipment installed and would need to be able to boot from SAN for successful execution of this plan.