

Telehealth Management Platform Deployment, Installation, Back-Out, and Rollback Guide



Jan 2021

Department of Veterans Affairs

Office of Information and Technology (OI&T)

Revision History

Date	Version	Description	Author
Jan 11, 2021	7.0	Added URL to CRM code and deployment instructions for VVS version upgrade	
September 25, 2020	6.0	Added URL to CRM code and deployment instructions for combined releases TMP 4.8.1 and 4.8.2.	
August 4, 2020	5.0	Updated Deployment Date for TMP VistA Patch SD*5.3*754.	
June 19, 2020	4.0	Added URL to CRM code and deployment instructions for TMP 4.8.0.	
June 18, 2020	3.0	Added URL to CRM code and deployment instructions for TMP 4.6.10 (Hotfix 10)	
June 17, 2020	2.9	Updated Deployment Date for TMP VistA Patch SD*5.3*746v1.	
May 27, 2020	2.8	Added Deployment instructions for TMP VistA Patch SD*5.3*746v1.	
May 27, 2020	2.7	Added URL to CRM code and deployment instructions for TMP 4.6.9 (Hotfix 9)	
May 13, 2020	2.6	TMP D365 Product Upgrade Wave 1	
May 6, 2020	2.5	Added URL to CRM code and deployment instructions for TMP 4.6 Hotfix 8.	
April 3, 2020	2.4	Added URL to CRM code and deployment instructions for TMP 4.6 Hotfix 7.	
March 26, 2020	2.3	Added Deployment instructions for TMP VistA Patch SD*5.3*714v4.	
January 21, 2020	2.2	Added URL to CRM code and deployment instructions for TMP 4.6 Hotfix 6.	
November 25, 2019	2.1	Added URL to CRM code and deployment instructions for TMP 4.6 Hotfix 5.	
November 19, 2019	2.0	Added URL to CRM code and deployment instructions for TMP 4.6 Hotfix 4.	
November 6, 2019	1.9	Added URL to CRM code and deployment instructions for TMP 4.6 Hotfix 3.	
October 25, 2019	1.8	Added URL to CRM code and deployment instructions for TMP 4.6 Hotfix 2.	
September 30, 2019	1.7	Added URL to CRM code and deployment instructions for TMP 4.6 Hotfix 1.	

Artifact Rationale

This document describes the Deployment, Installation, Back-out, and Rollback Plan for new products going into the VA Enterprise. The plan includes information about system support, issue tracking, escalation processes, and roles and responsibilities involved in all those activities.

Its purpose is to provide clients, stakeholders, and support personnel with a smooth transition to the new product or software, and should be structured appropriately, to reflect particulars of these procedures at a single or at multiple locations.

Per the Veteran-focused Integrated Process (VIP) Guide, the Deployment, Installation, Back-out, and Rollback Plan is required to be completed prior to Critical Decision Point #2 (CD #2), with the expectation that it will be updated throughout the lifecycle of the project for each build, as needed.

Table of Contents

- 1 Introduction 6**
 - 1.1 Purpose 6
 - 1.2 Dependencies..... 6
 - 1.3 Constraints 7
- 2 Roles and Responsibilities 8**
- 3 Deployment..... 10**
 - 3.1 Timeline 11
 - 3.2 Site Readiness Assessment 11
 - 3.21 Deployment Topology (Targeted Architecture) 11
 - 3.22 Site Information (Locations, Deployment Recipients) 12
 - 3.23 Site Preparation..... 12
 - 3.3 Resources 12
 - 3.31 Facility Specifics 12
 - 3.32 Hardware 12
 - 3.33 Software 13
 - 3.34 Communications 13
 - 3.3.4.1 Deployment/Installation/Back-Out Checklist 14
- 4 Installation 14**
 - 4.1 Pre-installation and System Requirements 14
 - 4.2 Platform Installation and Preparation 14
 - 4.3 Download and Extract Files 14
 - 4.4 Access Requirements and Skills Needed for the Installation 15
 - 4.5 Installation Procedure 15
 - 4.6 Installation Verification Procedure 15
 - 4.7 System Configuration..... 15
- 5 Back-Out Procedure 15**
- 6 Rollback Procedure 15**
 - 6.1 Rollback Considerations 15
 - 6.2 Rollback Criteria 15
 - 6.3 Rollback Risks 15
 - 6.4 Authority for Rollback 15
 - 6.5 Rollback Procedure 16
 - Rollback Verification Procedure..... 16
- Appendix A – TMP Combined Releases 4.8.1 & 4.8.2 Deployment Instructions..... 16**

Appendix B – TMP Combined Releases 4.8.1 & 4.8.2 Backout and Rollback Plan..... 16

Table of Tables

Table 1: Deployment, Installation, Back-out, and Rollback Roles and Responsibilities 8
Table 2: General Roles and Responsibilities 9
Table 3: Code Deployment Responsibilities..... 9
Table 4: Deployment Environments 10
Table 5: High Level Milestones..... 11
Table 6: Site Preparation..... 12
Table 7: Facility-Specific Features 12
Table 8: Hardware Specifications..... 13
Table 9: Software Specifications 13
Table 10: Team Support Information/Role..... 13
Table 11: Deployment/Installation/Back-Out Checklist..... 14

Table of Figures

Figure 1: TMP/VIMT/VYOPTA Environment Mapping..... 6
Figure 2: CVT/VIMT/MVI Environment Mapping 7
Figure 3: TMP/VIMT/Accenture Environment Mapping..... 7

Introduction

This document describes how to deploy and install the Telehealth Management Platform (TMP) Phase 3 Combined Releases 4.8.1 and 4.8.2, as well as how to back-out the product and rollback to a previous version or data set. This document is a companion to the project charter and management plan for this effort. In cases where a non-developed COTS product is being installed, the vendor provided User and Installation Guide may be used, but the Back-Out Recovery strategy still needs to be included in this document.

1.1 Purpose

The purpose of this plan is to provide a single, common document that describes how, when, where, and to whom the Telehealth Management Platform (TMP) solution, will be deployed and installed, as well as how it is to be backed out and rolled back, if necessary. The plan also identifies resources, communications plan, and rollout schedule. Specific instructions for installation, back-out, and rollback are included in this document.

1.2 Dependencies

Figures 1, 2, and 3 illustrate the systems interfacing with TMP.

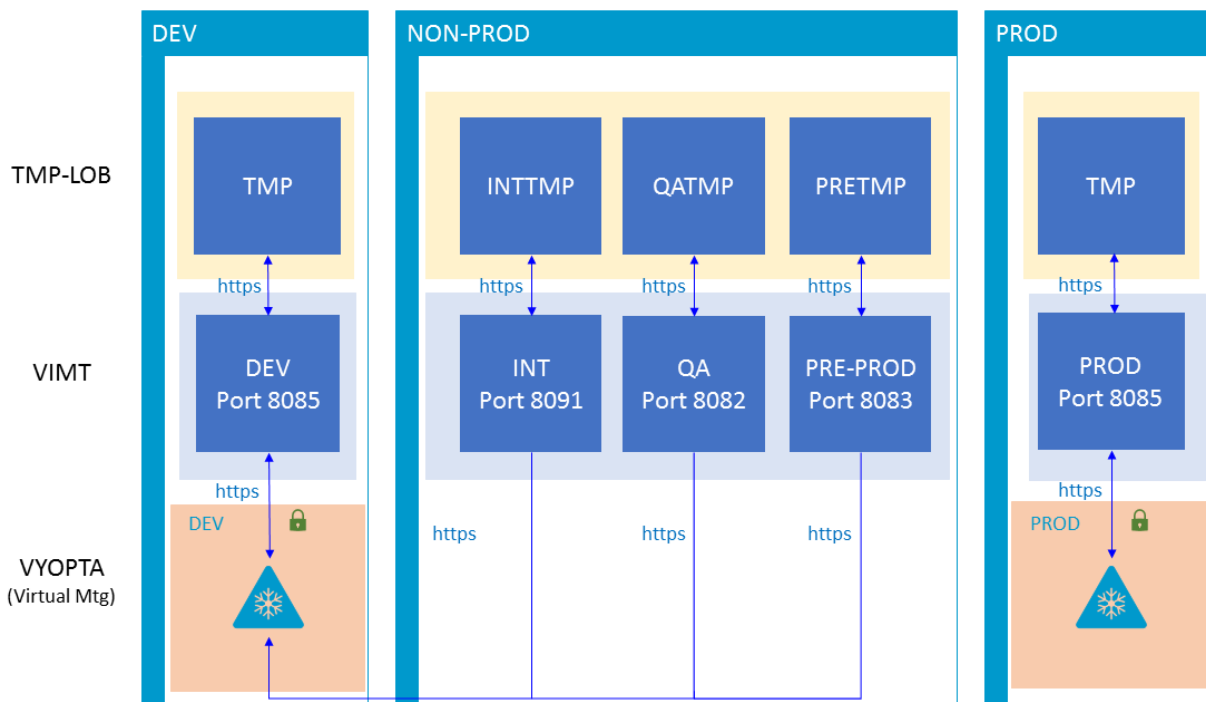


Figure 1: TMP/VIMT/VYOPTA Environment Mapping

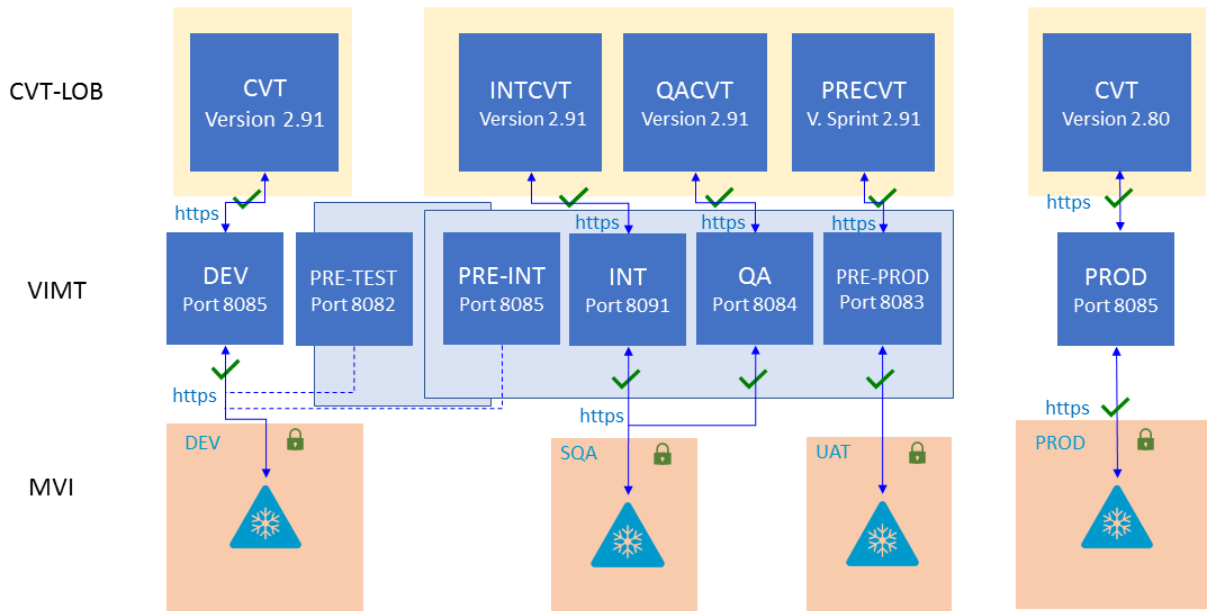


Figure 2: CVT/VIMT/MVI Environment Mapping

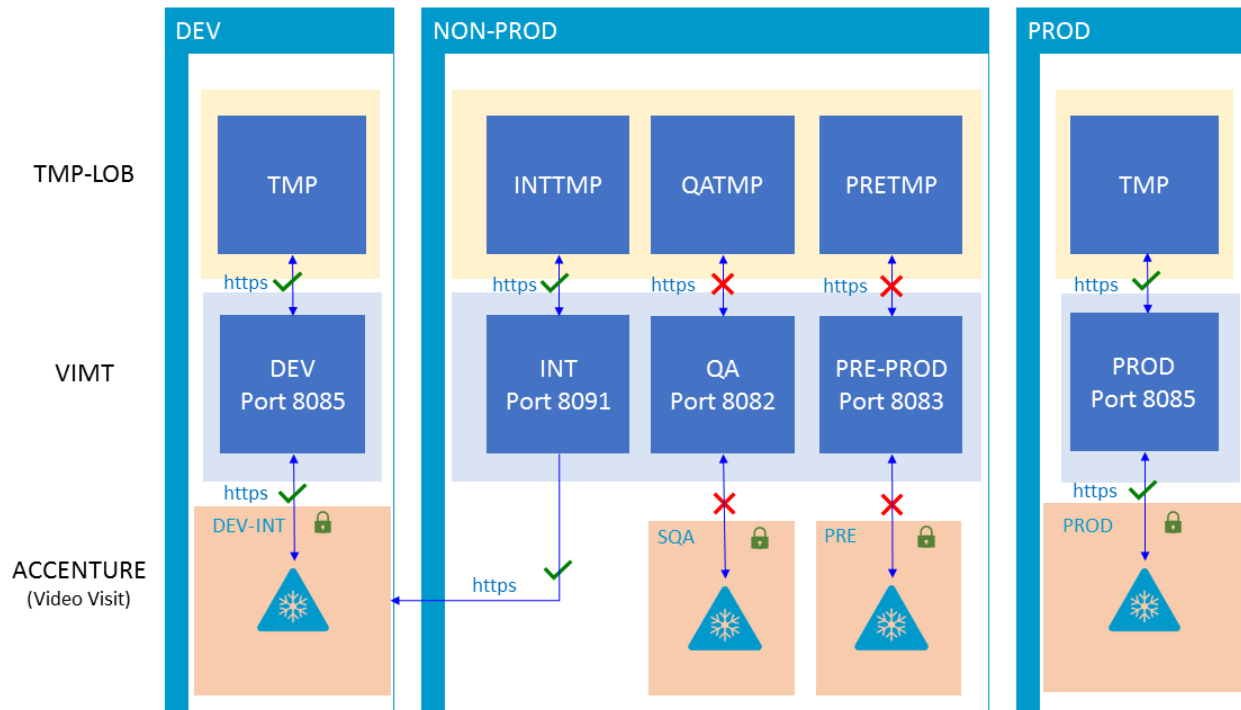


Figure 3: TMP/VIMT/Accenture Environment Mapping

1.3 Constraints

There are no additional constraints to this project.

Roles and Responsibilities

Table 1: Deployment, Installation, Back-out, and Rollback Roles and Responsibilities

ID	Team	Phase / Role	Tasks	Project Phase (See Schedule)
	O&M Team, Project Team and Development Team	Deployment	Plan and schedule deployment (including orchestration with vendors)	TMP Release
	O&M Team and Development Team	Deployment	Determine and document the roles and responsibilities of those involved in the deployment.	TMP Release
	Enterprise Operations (EO)	Deployment	Test for operational readiness	TMP Release
	O&M Team	Deployment	Execute deployment	TMP Release
	O&M Team and Development Team	Installation	Plan and schedule installation	TMP Release
	O&M Team/Hosting Team	Installation	Ensure authority to operate and that certificate authority security documentation is in place	TMP Release
	O&M Team/Hosting Team	Installation	Validate through facility POC to ensure that IT equipment has been accepted using asset inventory processes	TMP Release
	Training	Installations	Coordinate training	TMP Release
	O&M Team and Development Team	Back-out	Confirm availability of back-out instructions and back-out strategy (what are the criteria that trigger a back-out)	TMP Release
	O&M Team/Hosting Team	Post Deployment	Hardware, Software and System Support	TMP Release

This section describes the teams who perform the steps described in this Plan. Representatives from the teams listed in the following table perform deployment and installation activities. This phase begins after the solution design (including deployment topology) is complete. Design activities are not included in this phase.

Table 2: General Roles and Responsibilities

Team	Tasks / Responsibilities
CRM Cloud Hosting Solution Team	<ul style="list-style-type: none"> • Deploy code during migrations from lower environments into pre-prod and prod • Coordinate with VA Project Team members, VA NSOC, and Microsoft Support team • Receive and process incoming incidents via Cloud Ticket Determine incident types and capture all relevant incident data Create developer user accounts • Diagnose infrastructure issues • Troubleshoot basic and complex issues Resolve issues
VA Project Team	<ul style="list-style-type: none"> • Liaison between the project teams and team members to capture incidents • Submit incident requests using the Cloud Ticket tool
Liberty Development Team	<ul style="list-style-type: none"> • Communicate with CRM Cloud Solution team to provide additional information, if necessary • Identify and submits issues to the VA project POC
O&M Team	<ul style="list-style-type: none"> • Deploy solutions provided by Microsoft Development Team from lower environments into pre-prod and prod • Coordinate with VA Project Team members, VA NSOC, and Microsoft Support team • Receive and process incoming incidents • Determine incident types and capture all relevant incident data • Diagnose incident issues Troubleshoot basic and complex issues Resolve issues

Table 3: Code Deployment Responsibilities

Team	Phase	Role
Liberty Development Team	Planning	<ul style="list-style-type: none"> • Finalize Development Build and Code Compilation Instructions • Provide listing of developer accounts • Schedule deployment with the CRM Cloud Hosting team via Cloud Ticket
TMP Project Team	Planning	<ul style="list-style-type: none"> • Schedule UAT testers and support
CRM Cloud Hosting Solution Team	Planning	<ul style="list-style-type: none"> • Review deployment migration request (if needed) and schedule team member to provide support during the deployment • Schedule a deep dive with the Project Team, if necessary
Liberty Development Team	Prepare for Deployment	<ul style="list-style-type: none"> • Provide O&M Team with all relevant data/code including: solution extract for CRM, Compiled Code, and ISV Folder, utilizing a method approved by the Project Team (e.g. FTP, Secure Server, or other) • Freeze all development activities

Team	Phase	Role
O&M Team	Prepare for Deployment	<ul style="list-style-type: none"> Review Code Compilation instructions for completion Work with project teams if compilation instructions are unclear or incomplete Replicate the existing environment configuration and code Perform database back-ups
TMP Project Team	Execute Deployment	<ul style="list-style-type: none"> Coordinate deployment support by maintaining the bridge and managing all involved stakeholders Conduct UAT testing activities
Liberty Development Team	Execute Deployment	Work with O&M team to resolve issues, if necessary
O&M Team	Execute Deployment	Deploy the code into Pre-Prod and Prod
TMP Project Team	Validation & Go- Live	Validate that the new environment functions as expected
CRM Cloud Hosting Solution Team	Validation & Go- Live	Execute roll-back, if necessary

The following table describes the planned deployment environments.

Table 4: Deployment Environments

Environment	Use	Involved Parties
Developer Workstations	Development, Unit Testing	Microsoft
Microsoft PSSC Development Environment	Development, Unit Testing	Microsoft
VA Hosted (NWA) Dev	Development, Unit Testing	Microsoft
VA Hosted (NWA) INT	Unit Testing, Integration Testing	Microsoft, VA (Integration)
VA Hosted (NWA) QA	User Acceptance Testing	Microsoft, VA
VA Hosted (NWA) Pre- Prod	Fallback for Production	Microsoft, VA, Hosting Provider
VA Hosted (NWA) Prod	Production	Microsoft, VA, Hosting Provider

Deployment

The deployment is planned as a single rollout.

This section provides the schedule and milestones for the deployment.

This Release and Installation Guide identifies processes and procedures to promote the Telehealth Management Platform (TMP) Dynamics Customer Relationship Management (CRM)

system into the Production Environment. The CRM system is web-based and is deployed using files containing configuration information rather than directly from one environment to another.

TMP [Dev](#)

TMP [QA](#)

TMP [Pre-Prod](#)

TMP [Prod](#)

Git Hub <https://github.com/department-of-veterans-affairs/crm-tmp-product>

3.1 Timeline

The deployment and installation will run for approximately 1 day, as depicted in the master deployment schedule TMP.

In most Deployment Plans, Enterprise Operations (EO) maintains the master schedule in MS Project Server, Field Operations and Development (FOD) maintains its schedule in Clarity, and FOD provides site scheduling to meet parameters and milestones enumerated above. Given the agile methodology used to develop and deploy TMP, along with the limited scope of this software-only deployment/installation, there is no need for a Master Deployment Schedule. The high-level schedule included below will suffice.

Table 5: High Level Milestones

Milestones	Target Date
Unit Testing Completed	TBD
Software Quality Assurance Testing Completed	TBD
Pre-Production Testing Completed	TBD

3.2 Site Readiness Assessment

This section discusses the locations that will receive the TMP deployment. Topology determinations are made by ESE and vetted with PD, FO, NDCCP, and the PMO during the design phase as appropriate. Field site coordination will be completed FO unless otherwise stipulated by FO. The Microsoft team provides input and support to all ESE, PD, FO, NDCCP, and the PMO team during the site readiness assessment. TMP is a minor application covered under CRM/UD. Site readiness will be assessed in the hosting environment.

This section discusses the locations that will receive the TMP deployment.

3.2.1 Deployment Topology (Targeted Architecture)

Deployment will be conducted through web client in a QA, PreProd, and Production environment administered by O&M, managed by Cloud Hosting team.

The CRM system is web-based and is deployed using files containing configuration information rather than directly from one environment to another.

3.22 Site Information (Locations, Deployment Recipients)

The CRM system is web-based and is deployed using files containing configuration information rather than directly from one environment to another.

3.23 Site Preparation

TMP will be accessed using the hosting environment.

Table 6: Site Preparation

Site/Other	Problem/Change Needed	Features to Adapt/Modify to New Product	Actions/Steps	Owner
All Sites	Familiarization with application	N/A	Attend training sessions	Rocky Mountain National Training Center
All Sites	Data Migration	N/A	Metadata Import into Production	Liberty Development team
All Sites	Establish access to TMP URL	N/A	Grant access to application users of TMP	Will be handled by the appropriate region/site

3.3 Resources

This section describes hardware, software, and facilities required for the TMP deployment and installation.

3.31 Facility Specifics

TMP combined releases 4.8.1 and 4.8.2 will deploy on CRM cloud hosted environment. There are no facility-specific features required for deployment.

Table 7: Facility-Specific Features

Site	Space/Room	Features Needed	Other
None			

3.32 Hardware

TMP combined releases 4.8.1 and 4.8.2 will be supported by the existing cloud hosted environment. No hardware specifications exist.

Table 8: Hardware Specifications

Required Hardware	Model	Version	Configuration	Manufacturer	Other
None					

Please see the Roles and Responsibilities table in Section 2 for details about who is responsible for preparing the site to meet these hardware specifications.

3.33 Software

TMP combined releases 4.8.1 and 4.8.2 will be utilizing approved existing software on TRM tools list. No software specifications exist.

Table 9: Software Specifications

Required Software	Make	Version	Configuration	Manufacturer	Other
None					

Please see the Roles and Responsibilities table in Section 2 above for details about who is responsible for preparing the site to meet these software specifications.

3.34 Communications

A VA Teams meeting will occur for all members involved and/or invested in TMP deployment. All members involved and/or invested in TMP Deployment will receive status emails throughout the deployment activities.

Table 10: Team Support Information/Role

Team Support Information	Role
Communication Lead <i>Scheduled</i>	Serves as the main communication and coordination POC on behalf of the application to provide regular status updates and issue escalation.
Functional Tester(s) <i>Scheduled</i>	Performs testing to verify that application is functioning as expected.
Development <i>On Call</i>	Development resources are typically on-call for production deployments, unless they are required to serve as advisory resources during the release activities.
VA OIT <i>On Call</i>	Engage OIT contacts if decisions need to be made on behalf of the application and as voting members on the Go/No Go calls.
VA Business / TDD <i>On Call</i>	Engage Business Contacts if decisions need to be made on behalf of the application and as voting members on the Go/No Go calls.
Application Support <i>Scheduled</i>	Application Support contacts are scheduled to perform Production code releases and infrastructure changes.
Hosting Support <i>On Call</i>	Hosting Support contacts are scheduled to perform infrastructure changes or otherwise scheduled to be on call.

Team Support Information	Role
Integration Partners <i>Scheduled</i>	Typically, on-call support for the implementation or update of web service partner connections.

3.3.4.1 Deployment/Installation/Back-Out Checklist

This section will be completed once each task is complete.

Table 11: Deployment/Installation/Back-Out Checklist

Activity	Day	Time	Individual who completed task
Deploy	TBD	TBD	All Nationwide VistA Production Sites Patch Installers
Install	TBD	TBD	All Nationwide VistA Production Sites Patch Installers
Back-Out	TBD	TBD	All Nationwide VistA Production Sites Patch Installers

Installation

4.1 Pre-installation and System Requirements

Customer-approved user stories and defects will be stored on the TMP JIRA:

TMP Requirements

<https://vajira.max.gov/secure/RapidBoard.jspx?rapidView=752&projectKey=TMP&view=reporting&chart=sprintRetrospective&sprint=6443>

4.2 Platform Installation and Preparation

TMP ORG is backed up by a member of the team the night prior to deployment.

Deployment occurs during off hours.

Software installs within 60-120 minutes.

4.3 Download and Extract Files

The CRM system is web-based and is deployed using files containing configuration information rather than directly from one environment to another.

Table 12: File Inventory List

Filename
https://github.com/department-of-veterans-affairs/crm-tmp-product/tree/release-4.9.0.6

4.4 Access Requirements and Skills Needed for the Installation

Microsoft Dynamics CRM Security Role – System Administrator

4.5 Installation Procedure

Refer to the *TMP Combined Releases 4.8.1 & 4.8.2 Deployment Instructions* (Appendix A).

4.6 Installation Verification Procedure

Refer to the *TMP Releases Deployment Instructions* (Appendix A). Verification/Testing Steps begin on page 1 of Appendix A.

For detailed testing, please also refer to the *TMP Releases Verification Testing Instructions* (Appendix A).

Notification sent to the field via email from Office of Connected Care Help Desk (OCCHD) .

Users provided URL: <http://vaww.infoshare.va.gov/sites/telehealth/Lists/tmpnew/view.aspx>

Users were informed of upcoming changes on a weekly call.

4.7 System Configuration

Refer to the *TMP Combined Releases 4.8.1 & 4.8.2 Deployment-Verification Testing Instructions* (Appendix A).

Back-Out Procedure

Refer to the *O&M Backout and Rollback Plan* (Appendix B).

Rollback Procedure

TMP ORG is backed up the night prior to deployment.

6.1 Rollback Considerations

Go/No-Go meeting will enable a decision to provide viability to proceed.

6.2 Rollback Criteria

Restore backup of Production environment taken prior to deployment.

6.3 Rollback Risks

No risks exist.

6.4 Authority for Rollback

Refer to the *O&M Backout and Rollback Plan* (Appendix B).

6.5 Rollback Procedure

- A member of the Development Team will be assigned to this deployment.
- Evening prior to deployment – Approximately 10 pm a backup of TMP Production Environment
- Deployment Date– Upon completion of deployment activities (Installation, Verification, Testing), Go/No Go meeting will take place involving Stakeholders listed in 6.4. If decision of No Go is made, Rollback procedure will commence.
- Deployment Date – 10/05/2020
 - TMP Production Org will be disabled
 - Deployment Date TMP Org backup is restored over deployment Org
 - Deployment Date TMP Org will be imported back into TMP Production Org
 - TMP Production Org will be re-enabled
 - TMP Production will be tested

Rollback Verification Procedure

Folder	Filename
See Section 4.6	See Section 4.3

Appendix A – TMP Release Deployment Instructions

This section provides steps to deploy the TMP related changes in the Production environment:

<https://github.com/department-of-veterans-affairs/crm-tmp-product/tree/release-4.9.0.6>

- Login to GitHub.
- <https://github.com/department-of-veterans-affairs/crm-tmp-product/tree/master>
- Go into release branches V4.9.0.6
- Open Deployment docs folder.
- Find the solutions folder with version and Solution Name TMP_Sprint 20 and 21
- Export the solutions and Import into the Production Environment.

Following Components are in the sprint 20 and sprint 21

Entities :

- Activity
- Appointment
- TMP Resource
- TMP Resource Group

WEB Resources :

- mcs_mvi_UI
- mcs_mvi_searchUI
- mcs_serviceactivity.min.js
- tmp_TMPResource_Deactivate.js
- tmp_TMPResourceGroup_Deactivate

Process Name :

- Reserve Res Update Status Canceled – Canceled
- Reserve Res Update Status Closed – Completed
- Reserve Res Update Status Open – Free
- Reserve Res Update Status Open – Tentative
- Reserve Res Update Status Scheduled – Busy
- Reserve Res Update Status Scheduled – Out of Office

Plugin Assembly :

- VA.TMP.Integration.Plugins.dll
- TMPPlugins.dll

SDK Message processing

- VA.TMP.CRM.SchedulingPackage.ResourcePackageCreatePostStage: Create of cvt_resourcepackage

Security Role:

- TMP Resource Manager

Configuration :

- login Into production CRM environment.
- Click on Advanced find select integration settings.
- Add new Integration setting and save.

Name : Adding wait value in seconds

Value : 0

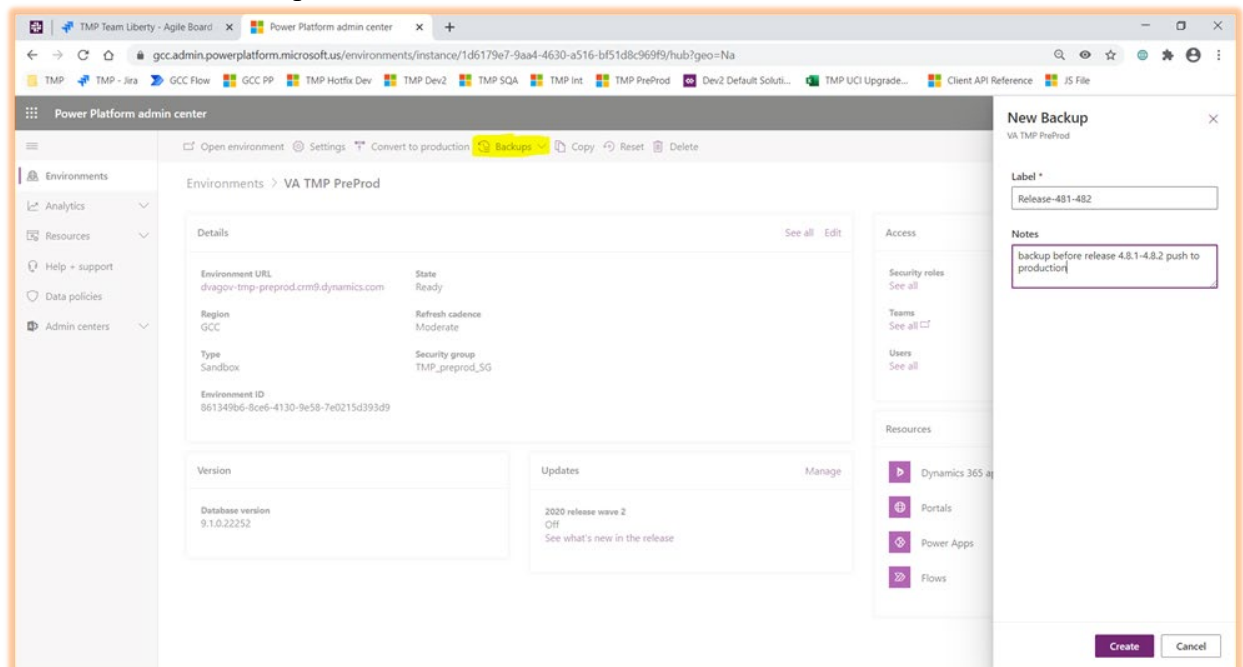
KUDU :

- log Into Kudu required environment from internet explorer.
- Give username and password.
- copy the Dll's in the bin folder.

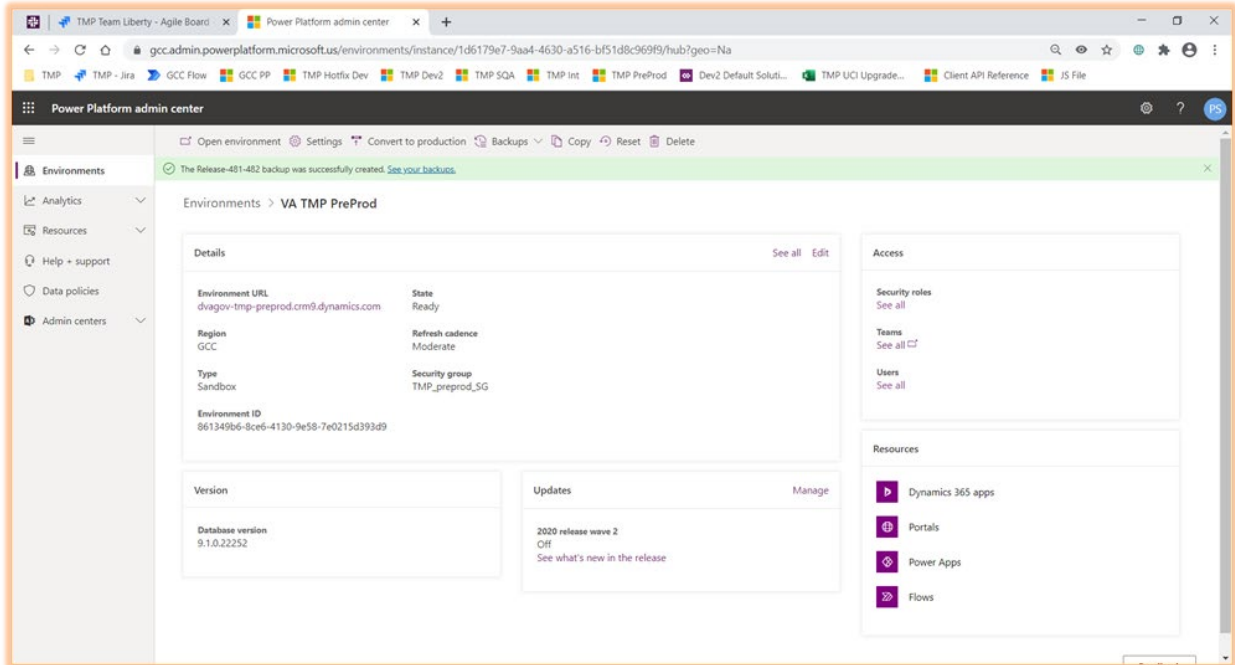
Appendix B – TMP Release Backout and Rollback Plan

Backup:

1. Navigate to the <https://gcc.admin.powerplatform.microsoft.us/environments>
2. Select the production environment “VA TMP Prod”.
3. Create a manual backup as shown below:

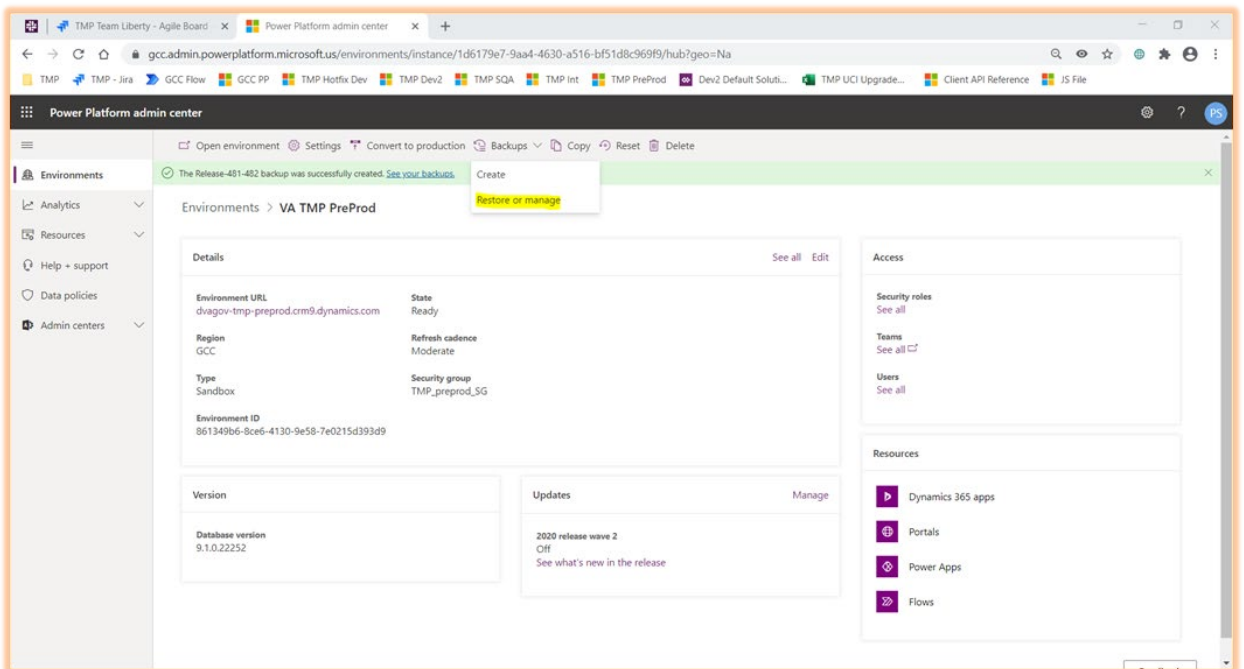


4. Please wait till you see a message similar to below:



Restore:

1. Navigate to the <https://gcc.admin.powerplatform.microsoft.us/environments>
2. Select the production environment “VA TMP Prod”.
3. Select Restore or manage under “Backups” link:



4. Select the backup created in Backup step #1 -> Click Restore